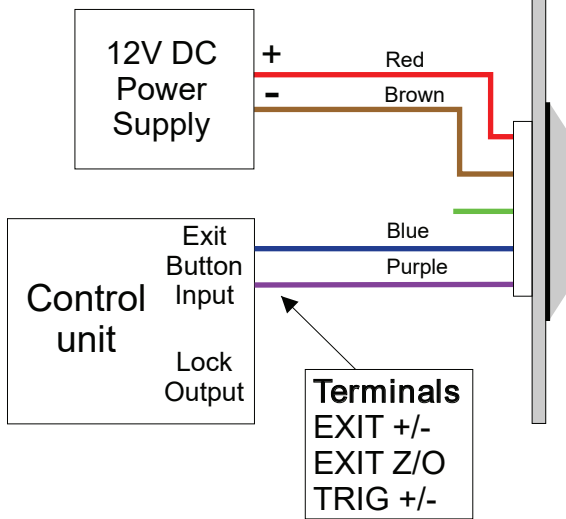




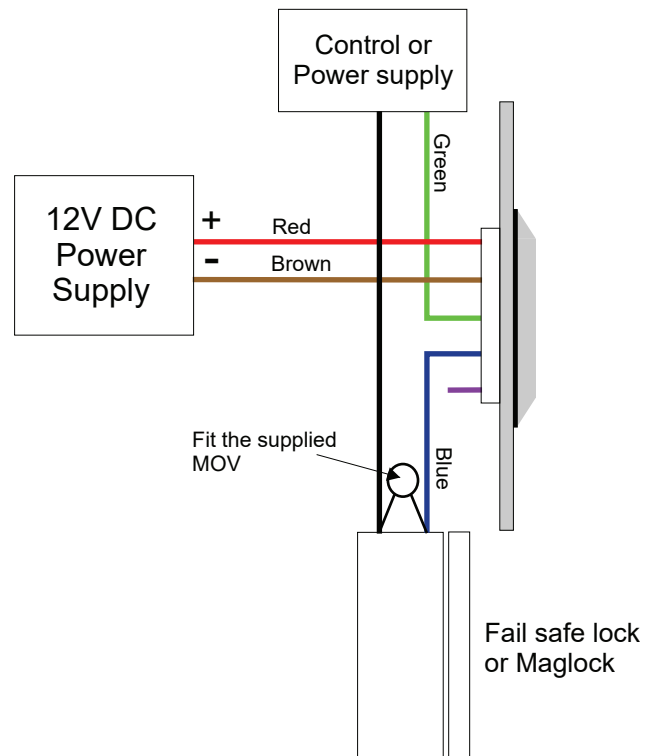
TF-EB Touch-free exit button

- Adjustable 30-120mm sensing range
- Adjustable 0.5s - 20s operating time including latch mode
- Link selectable red going green or green going red
- 12V or 24V DC Operation, 45mA max.
- 1A Changeover contact (voltage free)
- High impact plastic surface backbox
- 85mm x 85mm Front plate
- Surface fitting 90mm x 90mm x 36mm
- Flush fitting requires a single gang backbox
- For indoor use

Typical wiring when the lock is connected indirectly



Typical direct Fail safe lock wiring



Important notes

1. Appropriate back EMF suppression must be applied to the electric locking. When this unit is directly switching an electric lock the supplied MOV must be fitted across the electric lock. Failure to fit the MOV will invalidate the warranty.
2. This unit must only be used with 12V or 24V DC supplies, DO NOT use with AC power supplies such as the model 212 or 225.
3. This unit must not be used as an emergency exit device.

Rear view

