

# Cabling Supplement

## Typical Large Gate and Block Tabetlet Video System cable overview

- TB-W or TB-B Tabetlet
- BFD-DIG Digital door controllers
- BFP-DIG/VR(S) Vandal resistant digital call panel

## Notes

- \* Core size depends on the Maglock/Lock release fitted.
- \*\* Requires a 230V Mains connection.

All control equipment must be housed in a protected indoor environment or enclosure. The minimum amount of cabling is shown, please allow for spares.

### Cable types:

CAT5 - Category 5 or 5e unshielded cable containing 8 cores.  
Cables are CAT5 unshielded unless otherwise stated.

1.0mm<sup>2</sup> - 1.0mm<sup>2</sup> Cross sectional area mains cable, Flex or Twin and Earth.

Maximum of 300m cable distance between the furthest 2 points.

DO NOT USE ALARM CABLE

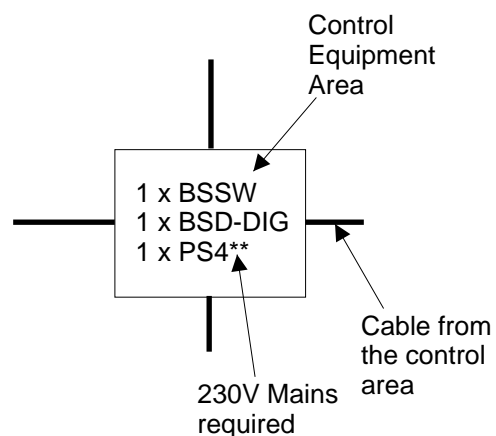
### Manuals required:

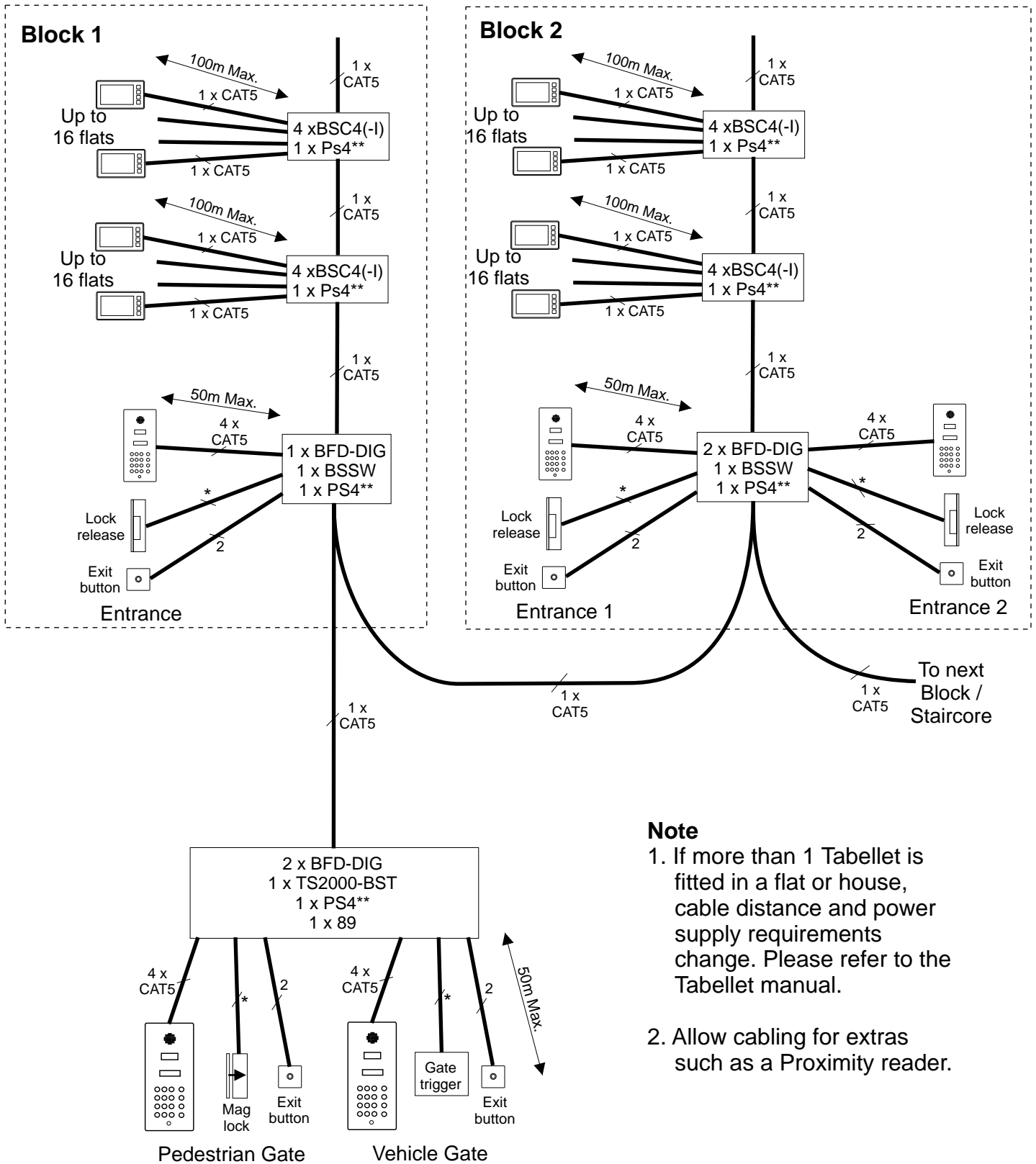
tabelet Manual BF Digital (PD-308)

bellissimo & Bellcall Manual BSSW Gate and block (PD-120)

2 x CAT5 = 2 cable of CAT5 unshielded,  
8 cores in each cable, total of 16 cores

2 = 2 cores of CAT5 unshielded





**Note**

1. If more than 1 Tabellet is fitted in a flat or house, cable distance and power supply requirements change. Please refer to the Tabellet manual.
2. Allow cabling for extras such as a Proximity reader.

# Control equipment interconnection

