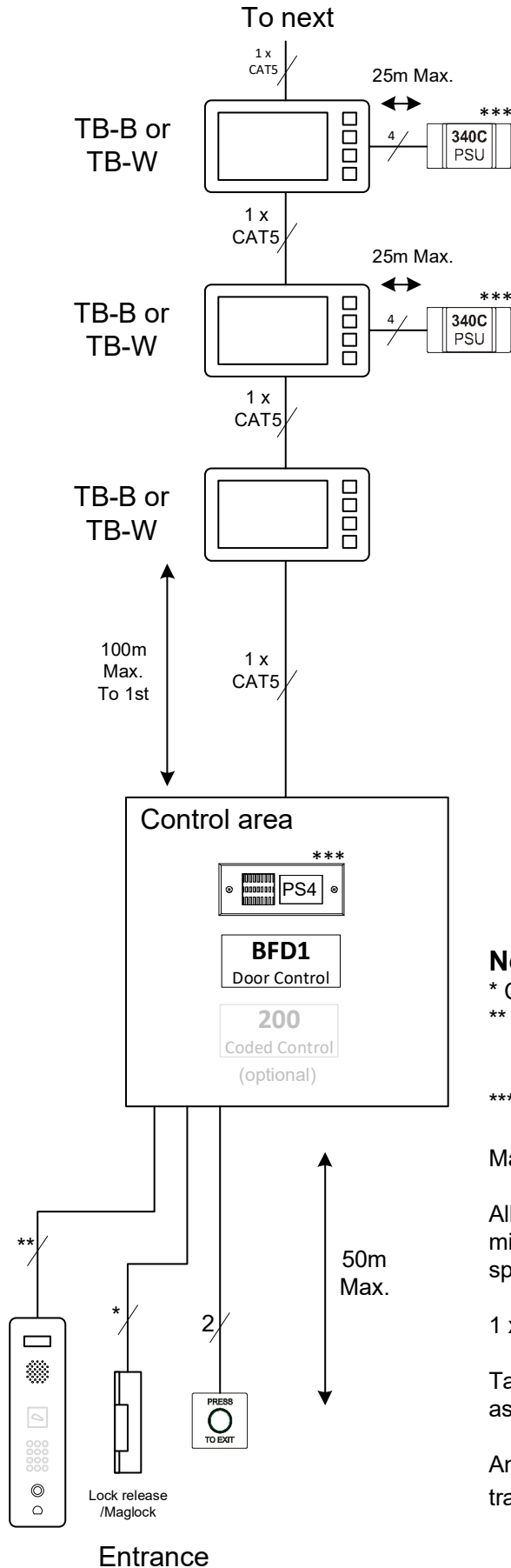


Tabellet typical 1 way 1 entrance video system - Cable overview



Notes

* Core size depends on the locking fitted

** 2 x CAT5 +

10 cores for a coded access keypad

3 cores for a PAX1 Fob reader

*** Requires a 230V Mains connection

Maximum of 300m between the furthest 2 points

All cable is CAT5 unless otherwise stated, the minimum amount has been shown allow for spares.

1 x CAT5 refers to all 8 cores

Tabellets must be daisy-chain wired in and out as shown

Any Maglock must be fitted with suitable transient voltage suppression, e.g. MOV