

Cabling Overview

Description Typical Digital Audio VR Gate and Block cabling
- DBA-8Z Zone isolation
- BSSW Gate Isolator
- BFD-DIG Digital door controller

Revision PD-331 Issue 1

Notes

* Core size depends on the Maglock/Lock release fitted.

** Requires a 230V Mains connection.

Cable types:

CAT5 - Category 5 or 5e unshielded cable containing 8 cores.

Cables are CAT5/5e unshielded unless otherwise stated.

1.0mm² - 1.0mm² Cross sectional area mains cable, Flex or Twin and Earth.

Maximum of 300m cable distance between the furthest 2 points and a maximum of 1Km of cable connected to any one point.

All control equipment must be located in protected indoor environments or enclosures. The minimum amount of cable has been indicated, please allow for spares.

Maglocks or Highly inductive locking devices must be fitted with suitable transient voltage suppression

Do not use alarm cable.

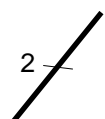
Manuals required:


Bellfree Audio Vandal Resistant System Installation Guide (PD-314) - Digital entrances/phones

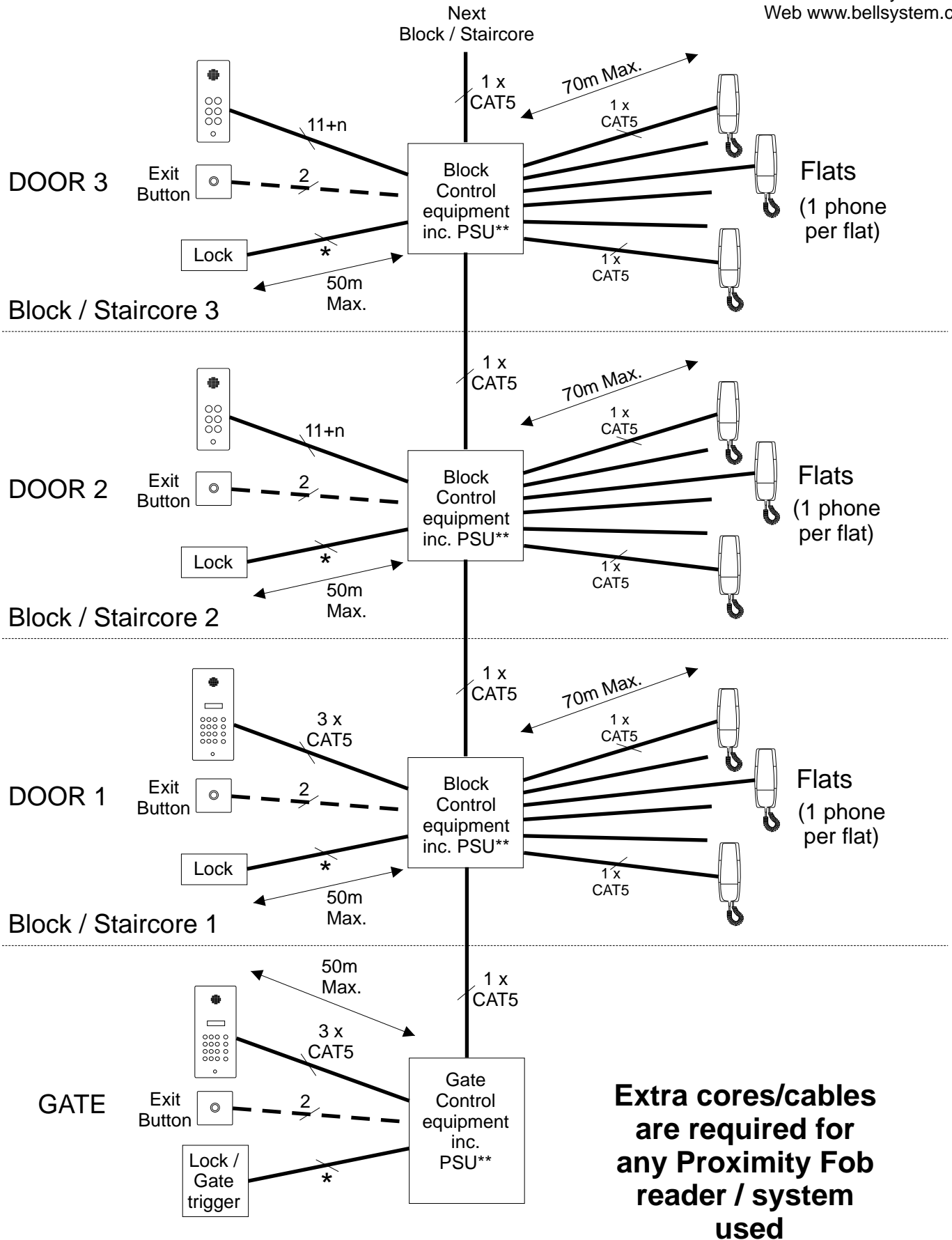
BSSW Gate and Block Manual (PD-120) - BSSW Settings and terminals

BF2-72 Way (PD-172) - 1 button per flat entrances

Please check for extra cable requirements such as any Fob reader / Fob system or extra coded access keypad on the blocks

 = 2 cores of CAT5 unshielded

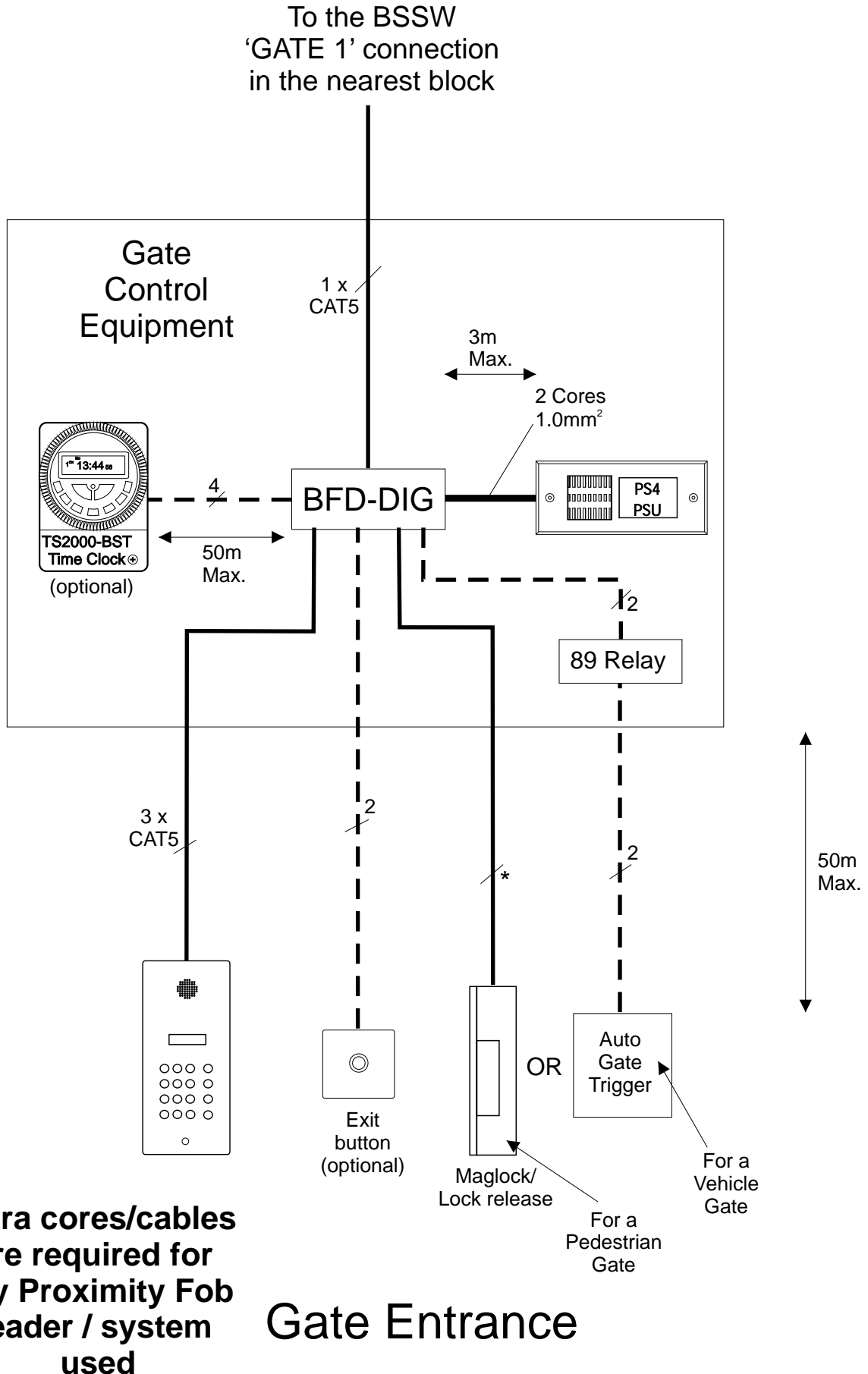
 = 2 cable of CAT5 unshielded, 8 cores in each cable, total of 16 cores



Note

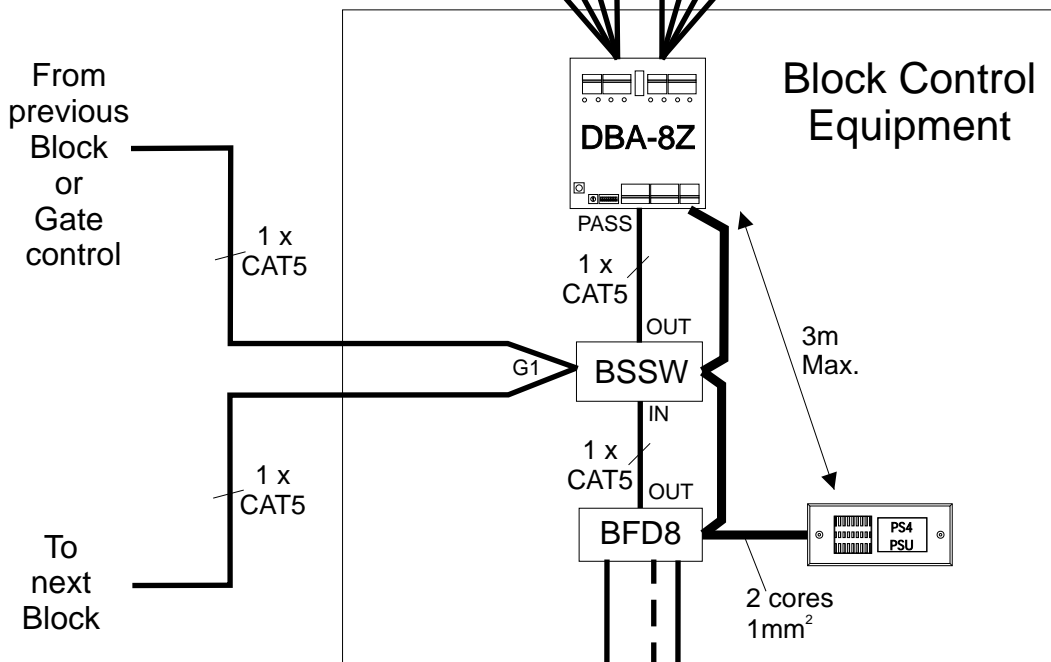
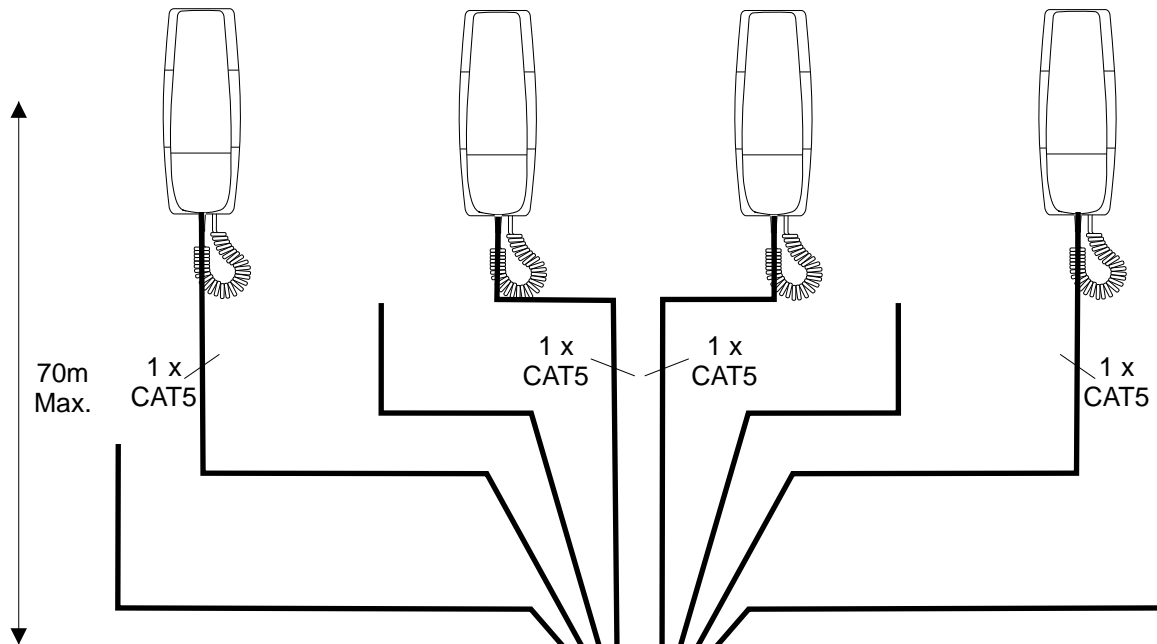
n = No. of call buttons

Cabling - Gate



Cabling - Block of up to 8 flats (1 button per flat entrance panel)

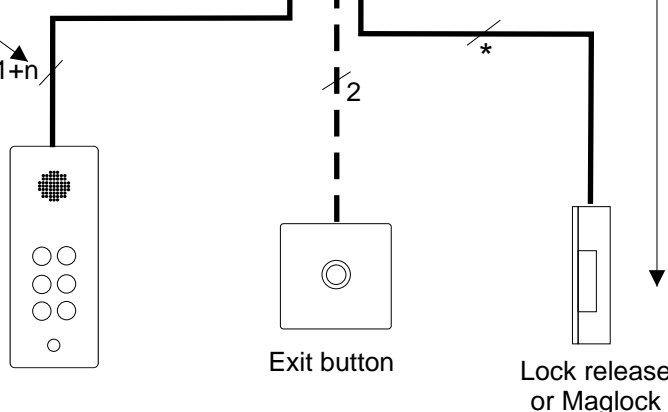
Up to 8 flats



n=No. of call buttons

11+n

Extra cores/cables are required for any Proximity Fob reader / system used



50m Max.

Terminal areas
G1=Gate 1
IN=Input
OUT=Output
PASS=PASSTHRU

Block entrance

Cabling - Block of up to 16 flats (1 button per flat entrance panel)

1st 8 flats

2nd 8 flats

