




Digibell Audio system with Bellagio call panels

Cabling for systems with

- 1-4 Entrances
- 2 Distribution points
- Up to 64 flats from each point

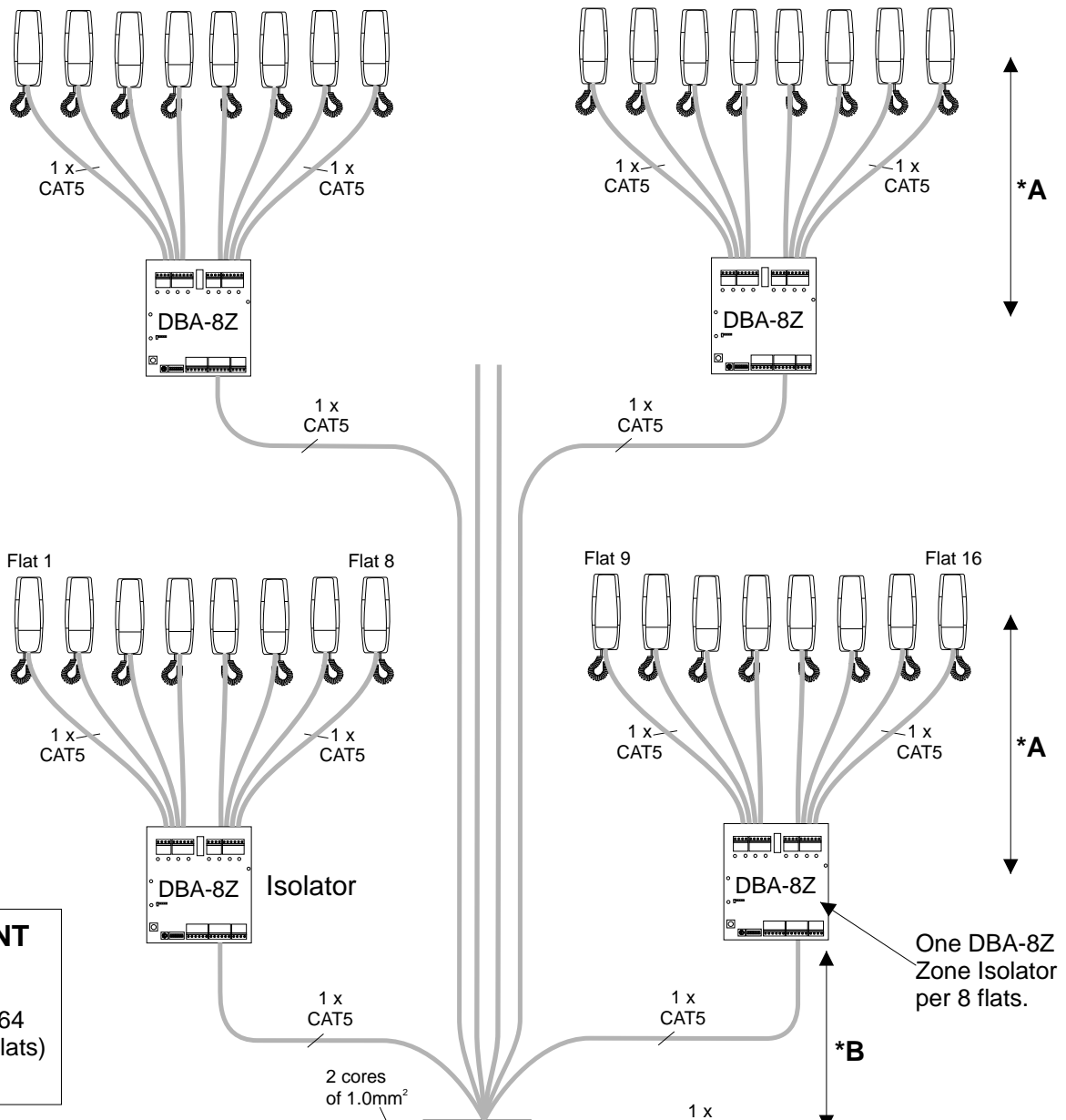
Cable legends

 A thick solid grey horizontal line with a diagonal slash through it. Above the line is the text "1 x CAT5".	8 Cores of CAT5/5e
 A medium-thick solid grey horizontal line with a diagonal slash through it. Above the line is the number "2".	2 Cores of CAT5/5e
 A dashed grey horizontal line with a diagonal slash through it. Above the line is the number "4".	Optional cores depending on feature required

Note

The maximum cable distance between the 2 remotest points must not exceed 300m (entrance to furthest phone).

Section 1 / Entrance 1/2 - Up to 64 flats



IMPORTANT
This diagram applies for a maximum of 64 phones (not flats) in a section

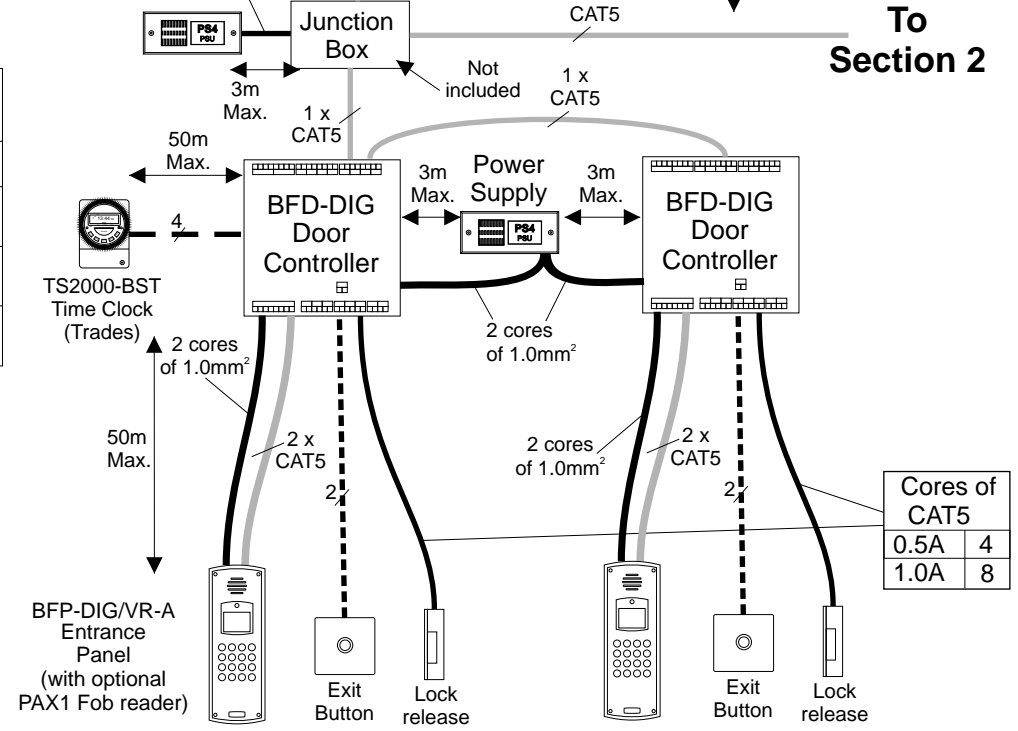
Cable distances

Phones/flat	*A Max.	*B Max.
1 x 801 Series	70m	100m
2 x 801 Series	35m	60m
1 x XL5-LX	65m	70m
2 x XL5-LX	30m	40m

A = Cable distance between phone(s) and DBA-8Z.

B = Cable distance between DBA-8Z and BFD-DIG.

For longer distances please contact the manufacturer.



Cores of CAT5

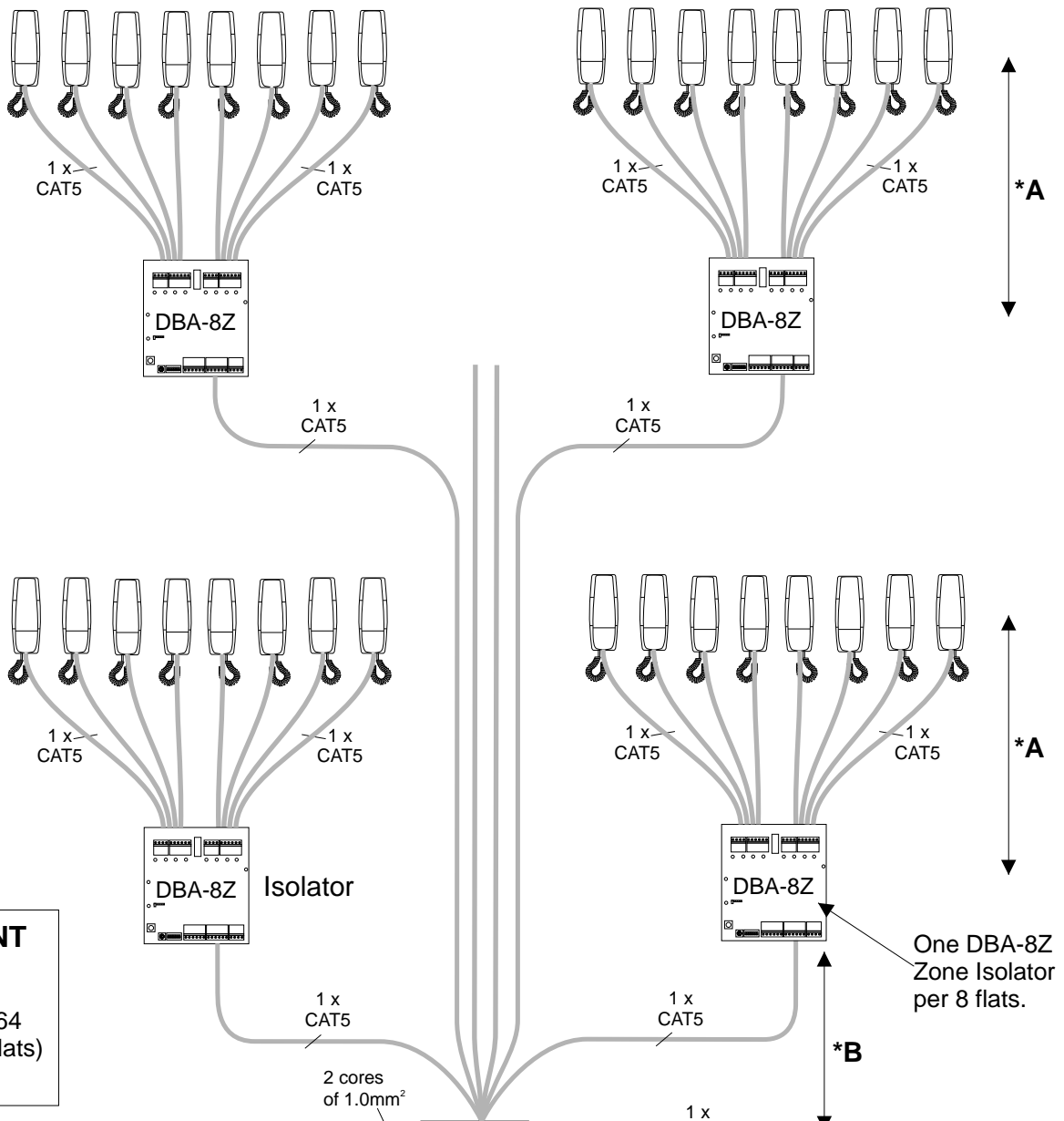
0.5A	4
1.0A	8

Entrance 1

Entrance 2

(optional)

Section 2 / Entrance 3/4 - Up to 64 flats



IMPORTANT
This diagram applies for a maximum of 64 phones (not flats) in a section

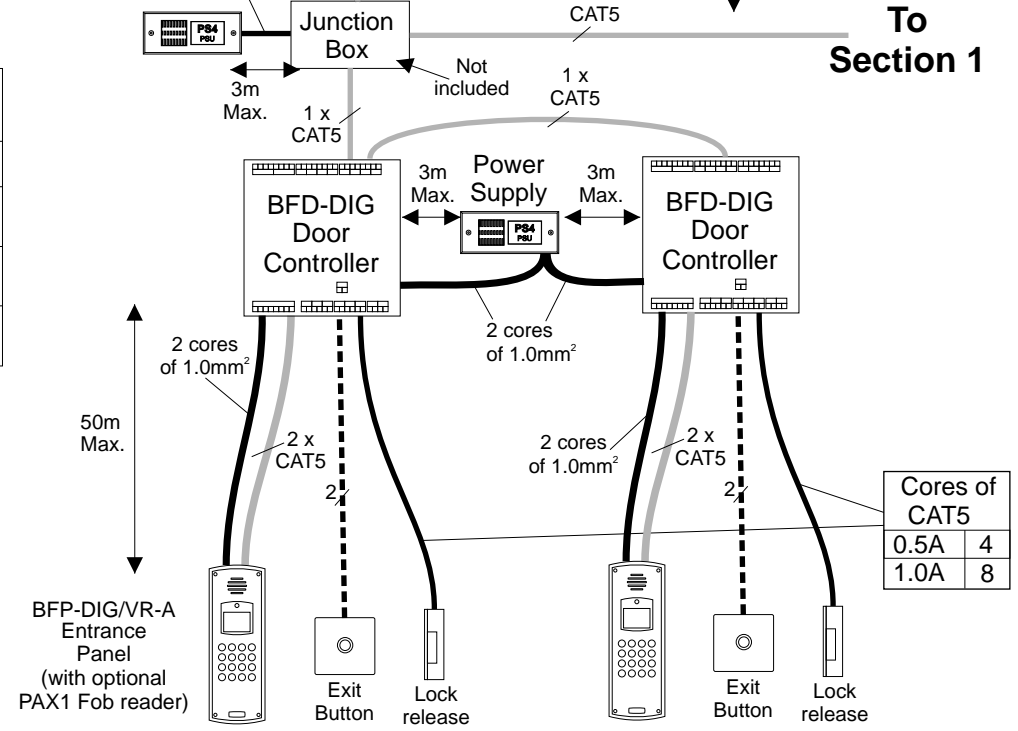
Cable distances

Phones/flat	*A Max.	*B Max.
1 x 801 Series	70m	100m
2 x 801 Series	35m	60m
1 x XL5-LX	65m	70m
2 x XL5-LX	30m	40m

A = Cable distance between phone(s) and DBA-8Z.

B = Cable distance between DBA-8Z and BFD-DIG.

For longer distances please contact the manufacturer.



Entrance 3
(optional)

Entrance 4
(optional)