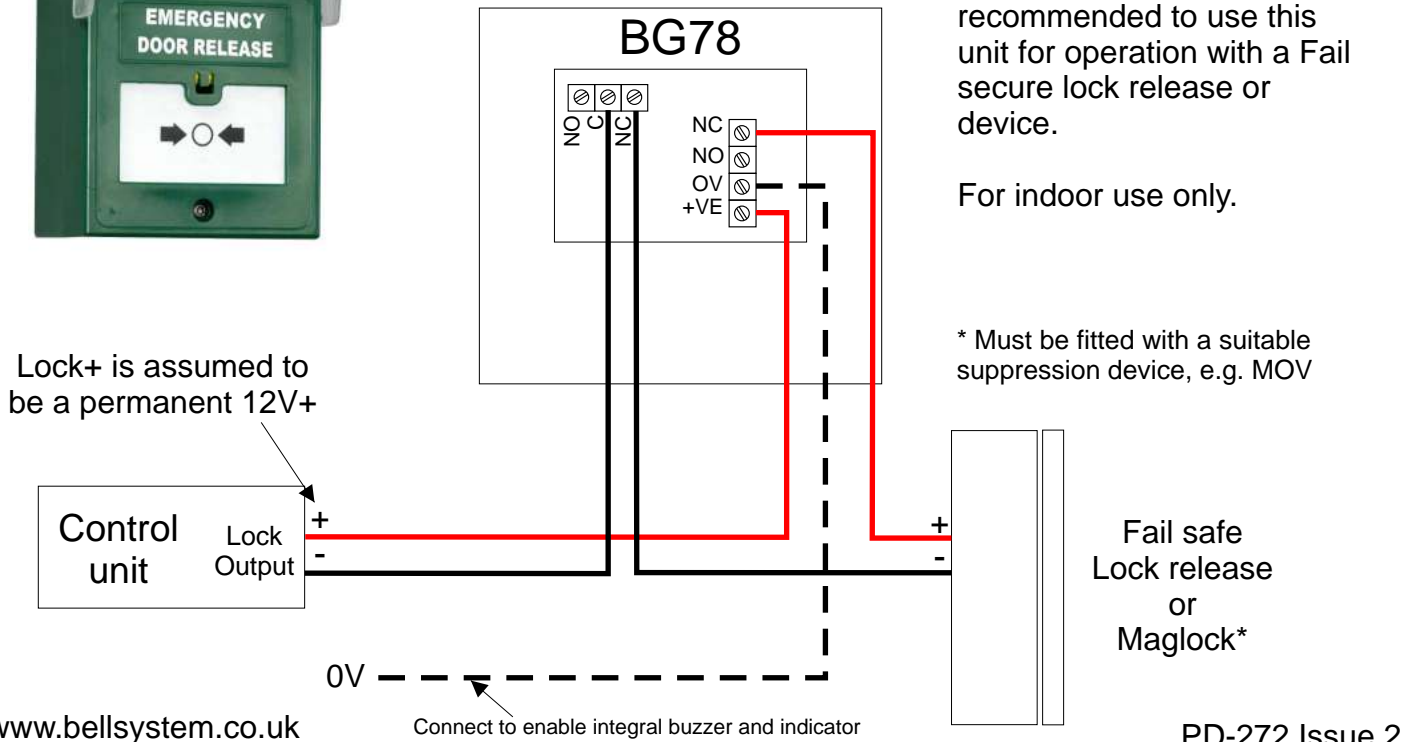


BG78 Emergency release button



Typical wiring



Important

For safety reasons it is not recommended to use this unit for operation with a Fail secure lock release or device.

For indoor use only.

* Must be fitted with a suitable suppression device, e.g. MOV