

BellProx

Model PR50X

Proximity / Keypad reader kit



Kit contents

1	bPX10 Proximity / Keypad reader, Surface fitting
1	340C Power supply, 13.8V DC, 1.5A
1	203 Lock release, surface fitting, fail secure
1	5080 Exit button, surface fitting
1	Pack of 50 Fobs
1	Security tool for bPX10
1	MOV Lock protection device
2	Rubber fixing plugs
2	Self tapping fixing screws

Programming the BellProx Reader

For Security, please change the Master Code before the Reader is put into use.

Function	Keypad/Reader	Notes
Master Code: (Required for adding and deleting Fobs and other system programming)		
Enter Program Mode	* <MASTER CODE>#	MASTER CODE is a 6-8 Digit Code: (Factory default is 999999)
Change Master Code	0 <New Code> # <New Code> #	New Code is any 6-8 Digit number
Exit Program Mode	*	Program Mode will also timeout after 30 seconds of inactivity

Please choose the required mode before adding User Fobs or PINs: (Must be performed in Program Mode)

Working Mode:		
Fob only	3 0 #	Only Fobs can be used (no PINs)
Fob and PIN	3 1 #	Fob must always be used together with a PIN
Fob or PIN (Default)	3 2 #	Either a Fob or PIN can be assigned to each User ID

Must be performed in Program Mode – see Master Code above

Add/Delete Fobs		
Add a Fob	1 <User ID> # FOB #	User ID a unique number from 1 to 1000 which should be assigned to each Fob FOB Hold the Fob to the reader
Add a PIN to the Fob (Mode 31)	Add a Fob first as above then Exit Program Mode.	PIN can be added to Fob in User Mode (See User Instructions below)
Add a PIN only (Mode 32)	1 <User ID> # PIN # *	User ID a unique number from 1 to 1000 which should be assigned to each Fob PIN Any 4-digit number (except 1234)
Delete a Fob using the Fob	2 FOB #	In Mode 31 the associated PIN is deleted too.
Delete a Fob/PIN using the User ID	2 <User ID> # *	
Delete all Fobs/PINs	2 0 0 0 0 #	Use with caution!

Misc		
Factory Reset	Power Down the Reader: Hold down the # key: Power Up: Release the # key after two beeps	Does not delete Fobs or PINs Master Code is reset to 999999

User Instructions (If required, Press * to exit programming mode)	
Open Door with Fob	FOB (Present Fob to reader)
Open Door with PIN	<PIN> # (eg 4052#)
Open Door with Fob and PIN	FOB <PIN> #
Add PIN to Fob User (Mode 31 only)	* FOB 1234 # <PIN> # <PIN> #
Change PIN with Fob (Mode 31 only)	* FOB <Old PIN> # <New PIN> # <New PIN>
Change PIN with User ID (mode 31 & 32)	* <User ID> # <Old PIN> # <New PIN> # <New PIN> #

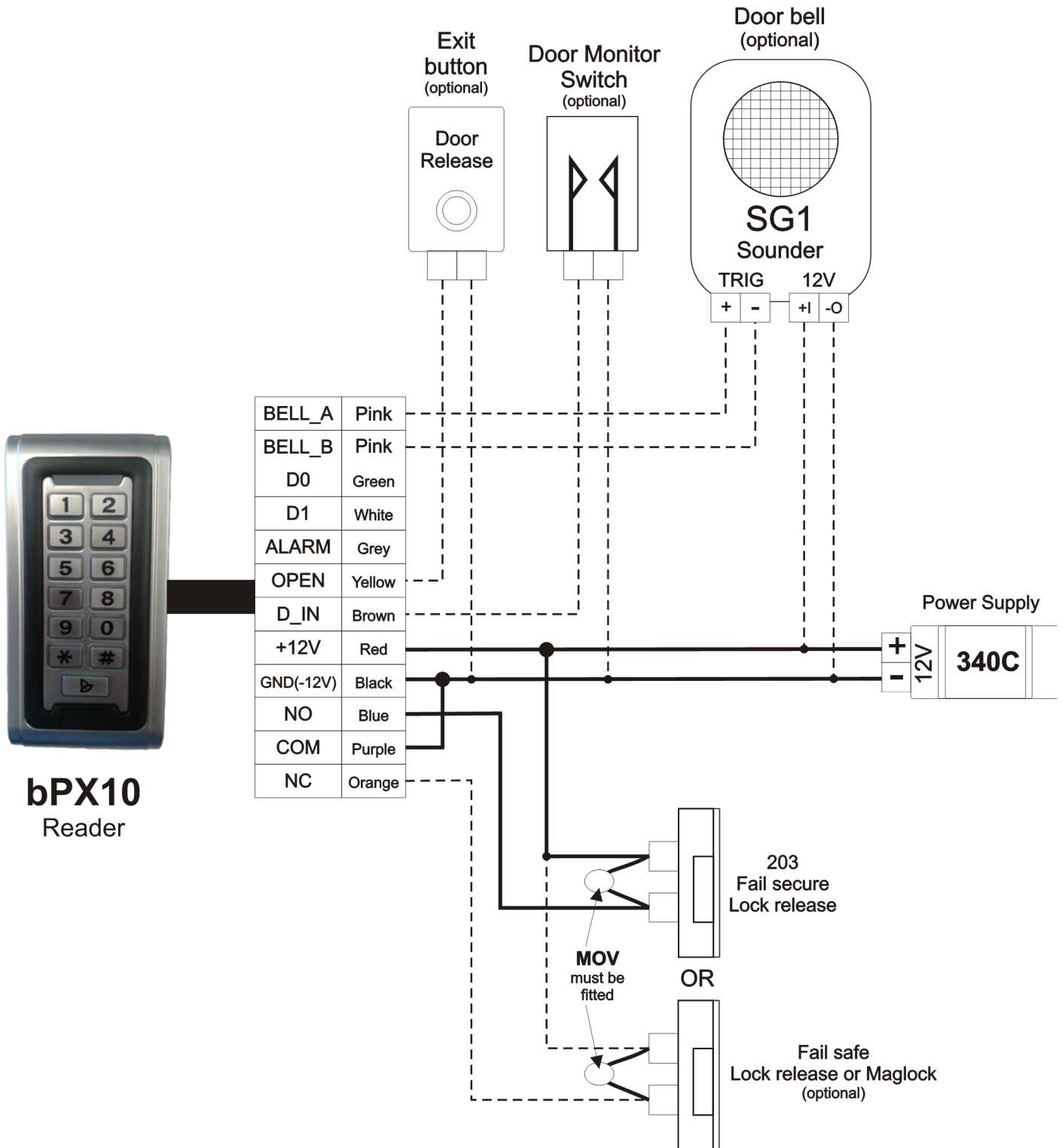
Must be performed in Program Mode – see Master Code above

Door Settings		
Change Lock Time	4 <Lock Time> # *	Lock Time is 0-99 (seconds)
Alarm Duration	5 <Alarm Time> #	Alarm Time is 0, 1, 2, or 3 (minutes)
Enable Door open detect	6 1 #	Requires Door monitor switch
Disable Door open detect	6 0 #	
Keypad Lockout & Alarm Options (10 Invalid Fobs or Pins within 10 mins)		
Normal	7 0 #	No Alarm or lockout
Lockout	7 1 #	Keypad is locked out for 10 mins
Alarm operate	7 2 #	Alarm and ext. buzzer sound for 10 mins

LED Indication

Red, flashing	Idle
Red, solid	In Program mode
Green, brief flash	Sequence acknowledged
Green, solid	Door unlocked

Typical wiring diagram



bPX10 Reader Specification

Operating voltage	9-28V DC
Current consumption	40mA Idle, 60mA Active
Lock output	1A max.
Door Bell button	Push to make, 20mA max.
Keys	Illuminated

Users	1000
Dimensions (mm)	58 (W) x 120 (H) x 22 (D)
Water resistance	IP68
Finish	Strong Zinc Alloy Electroplated anti-vandal