

# BellProx

## Model PR50X

Proximity / Keypad reader kit



### Kit contents

1	bPX10 Proximity / Keypad reader, Surface fitting
1	340C Power supply, 13.8V DC, 1.5A
1	203 Lock release, surface fitting, fail secure
1	5080 Exit button, surface fitting
1	Pack of 50 Fobs
1	Security tool for bPX10
1	MOV Lock protection device
2	Rubber fixing plugs
2	Self tapping fixing screws

## Programming the BellProx Reader

For Security, please change the Master Code before the Reader is put into use.

Function	Keypad/Reader	Notes
<b>Master Code:</b> (Required for adding and deleting Fobs and other system programming)		
Enter Program Mode	* <MASTER CODE>#	<b>MASTER CODE</b> is a 6-8 Digit Code: (Factory default is 999999)
Change Master Code	0 <New Code> # <New Code> #	<b>New Code</b> is any 6-8 Digit number
Exit Program Mode	*	Program Mode will also timeout after 30 seconds of inactivity

Please choose the required mode before adding User Fobs or PINs: (Must be performed in Program Mode)

<b>Working Mode:</b>		
Fob only	3 0 #	Only Fobs can be used (no PINs)
Fob and PIN	3 1 #	Fob must always be used together with a PIN
Fob or PIN (Default)	3 2 #	Either a Fob or PIN can be assigned to each User ID

Must be performed in Program Mode – see Master Code above

<b>Add/Delete Fobs</b>		
Add a Fob	1 <User ID> # FOB #	<b>User ID</b> a unique number from 1 to 1000 which should be assigned to each Fob <b>FOB</b> Hold the Fob to the reader
Add a PIN to the Fob (Mode 31)	Add a Fob first as above then Exit Program Mode.	PIN can be added to Fob in User Mode (See User Instructions below)
Add a PIN only (Mode 32)	1 <User ID> # PIN # *	<b>User ID</b> a unique number from 1 to 1000 which should be assigned to each Fob <b>PIN</b> Any 4-digit number (except 1234)
Delete a Fob using the Fob	2 FOB #	In Mode 31 the associated PIN is deleted too.
Delete a Fob/PIN using the User ID	2 <User ID> # *	
Delete all Fobs/PINs	2 0 0 0 0 #	<b>Use with caution!</b>

<b>Misc</b>		
Factory Reset	Power Down the Reader: Hold down the # key: Power Up: Release the # key after two beeps	<b>Does not delete Fobs or PINs</b> Master Code is reset to 999999

<b>User Instructions</b> (If required, Press * to exit programming mode)	
Open Door with Fob	<b>FOB</b> (Present Fob to reader)
Open Door with PIN	<b>&lt;PIN&gt; #</b> (eg 4052#)
Open Door with Fob and PIN	<b>FOB &lt;PIN&gt; #</b>
Add PIN to Fob User (Mode 31 only)	<b>* FOB 1234 # &lt;PIN&gt; # &lt;PIN&gt; #</b>
Change PIN with Fob (Mode 31 only)	<b>* FOB &lt;Old PIN&gt; # &lt;New PIN&gt; # &lt;New PIN&gt;</b>
Change PIN with User ID (mode 31 & 32)	<b>* &lt;User ID&gt; # &lt;Old PIN&gt; # &lt;New PIN&gt; # &lt;New PIN&gt; #</b>

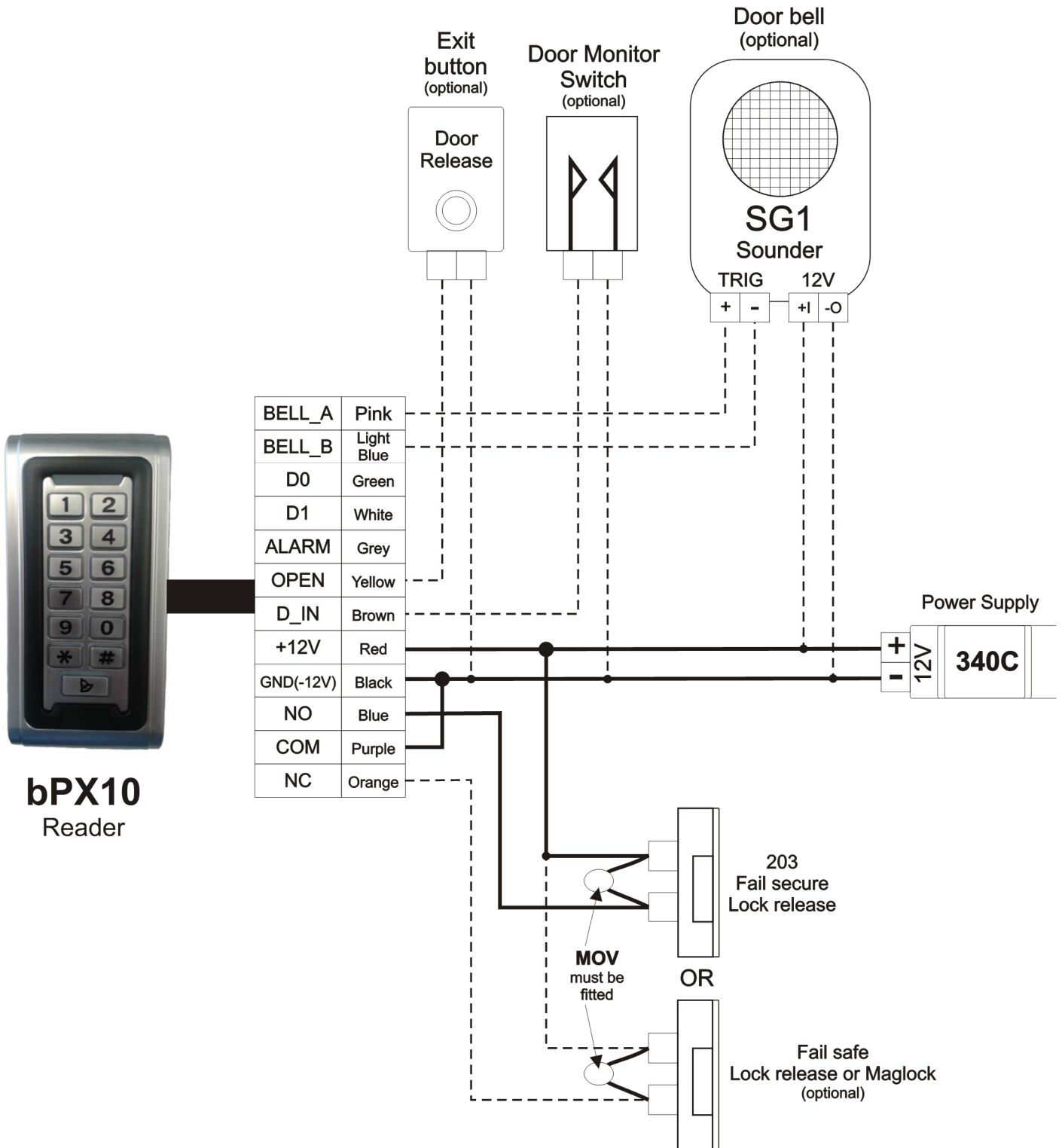
Must be performed in Program Mode – see Master Code above

<b>Door Settings</b>		
Change Lock Time	<b>4 &lt;Lock Time&gt; # *</b>	<b>Lock Time</b> is 0-99 ( seconds)
Alarm Duration	<b>5 &lt;Alarm Time&gt; #</b>	<b>Alarm Time</b> is 0, 1, 2, or 3 (minutes)
Enable Door open detect	<b>6 1 #</b>	Requires Door monitor switch
Disable Door open detect	<b>6 0 #</b>	
<b>Keypad Lockout &amp; Alarm Options (10 Invalid Fobs or Pins within 10 mins)</b>		
Normal	<b>7 0 #</b>	No Alarm or lockout
Lockout	<b>7 1 #</b>	Keypad is locked out for 10 mins
Alarm operate	<b>7 2 #</b>	Alarm and ext. buzzer sound for 10 mins

#### **LED Indication**

Red, flashing	Idle
Red, solid	In Program mode
Green, brief flash	Sequence acknowledged
Green, solid	Door unlocked

## Typical wiring diagram



### bPX10 Reader Specification

Operating voltage	9-28V DC
Current consumption	40mA Idle, 60mA Active
Lock output	1A max.
Door Bell button	Push to make, 20mA max.
Keys	Illuminated

Users	1000
Dimensions (mm)	58 (W) x 120 (H) x 22 (D)
Water resistance	IP68
Finish	Strong Zinc Alloy Electroplated anti-vandal