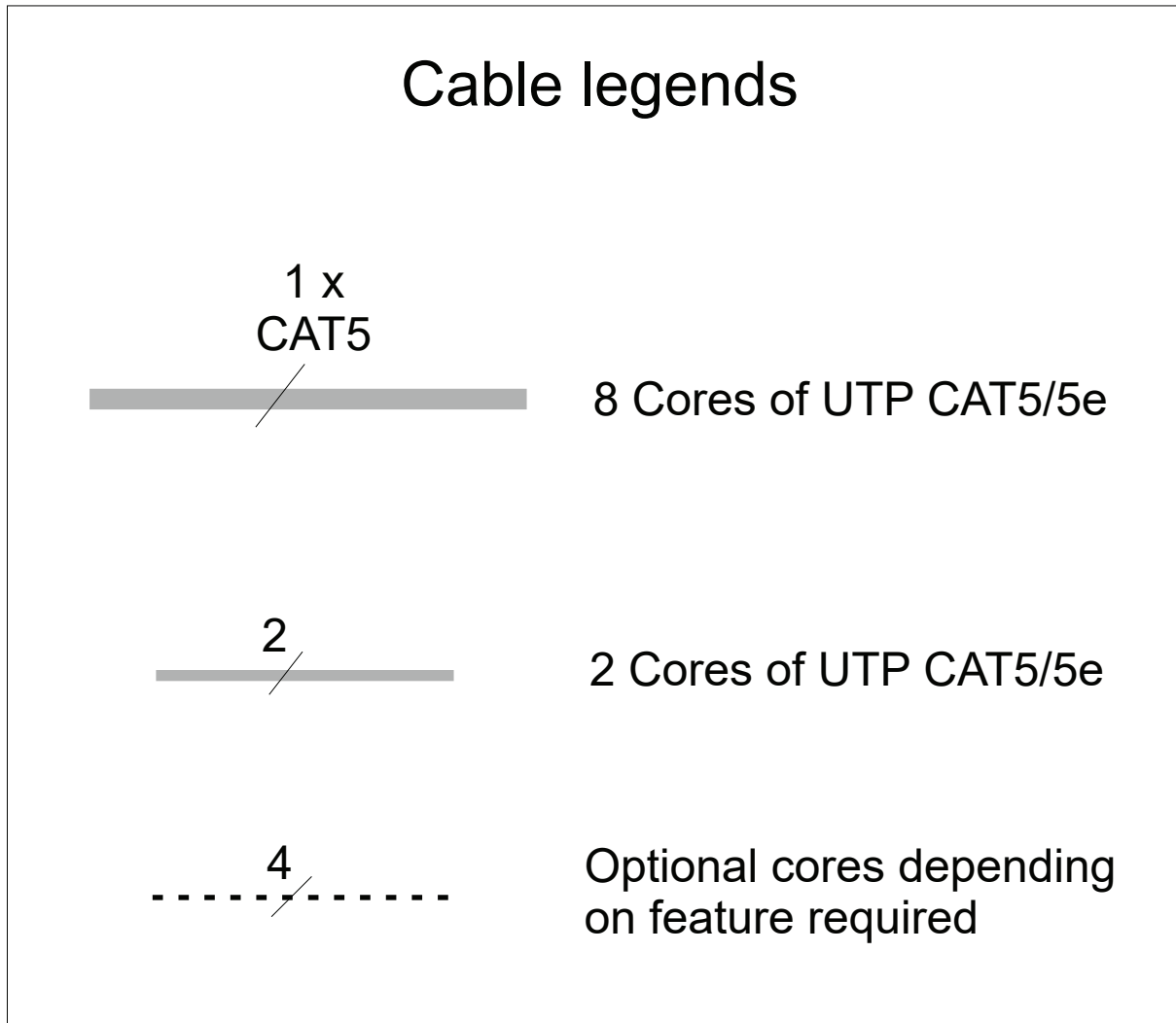


Bellagio Digital Audio

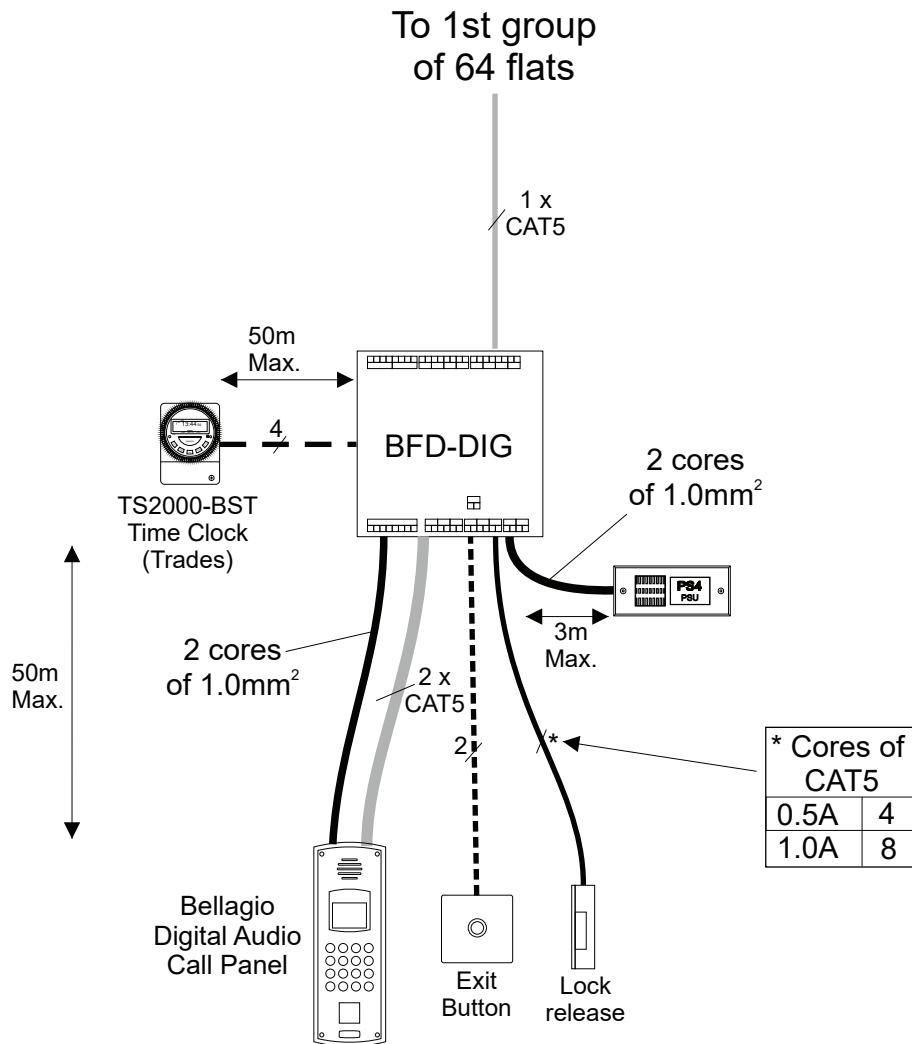
Cabling for 1 entrance systems with Bellagio digital call panel
with more than 64 flats
using the DBA-8Z Distributor/Isolator



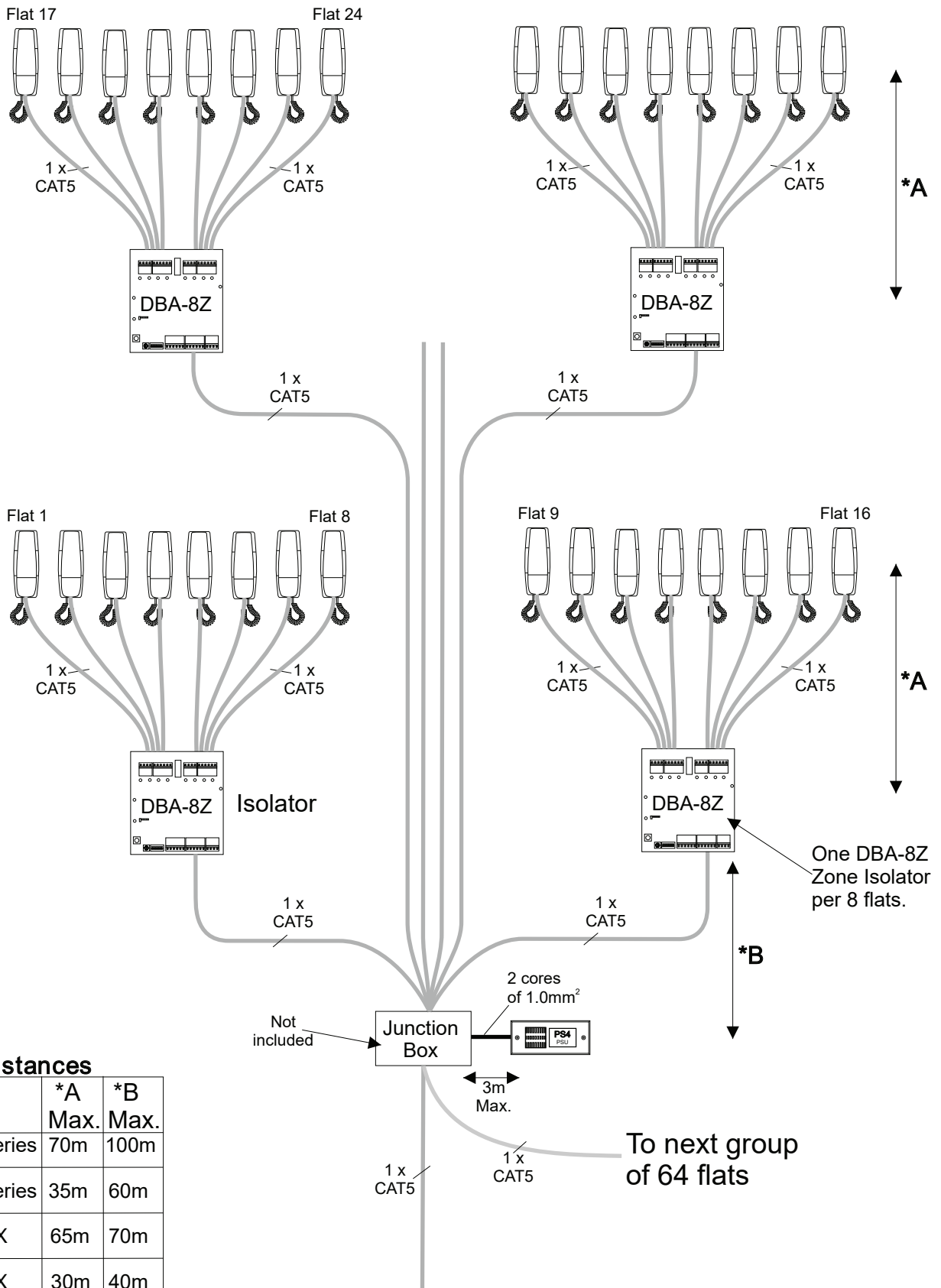
Note

1. The maximum cable distance between the 2 remotest points must not exceed 300m (entrance to furthest phone).
2. The minimum number of cores are shown.
3. All control equipment must be located in secure indoor environments
4. Refer to the bellagio audio manual (PD-281).

Entrance connections



1st 64 flats/Phones



Cable distances

Phones/ flat	*A Max.	*B Max.
1 x 801 Series	70m	100m
2 x 801 Series	35m	60m
1 x XL5-LX	65m	70m
2 x XL5-LX	30m	40m

A = Cable distance between phone(s) and DBA-8Z.

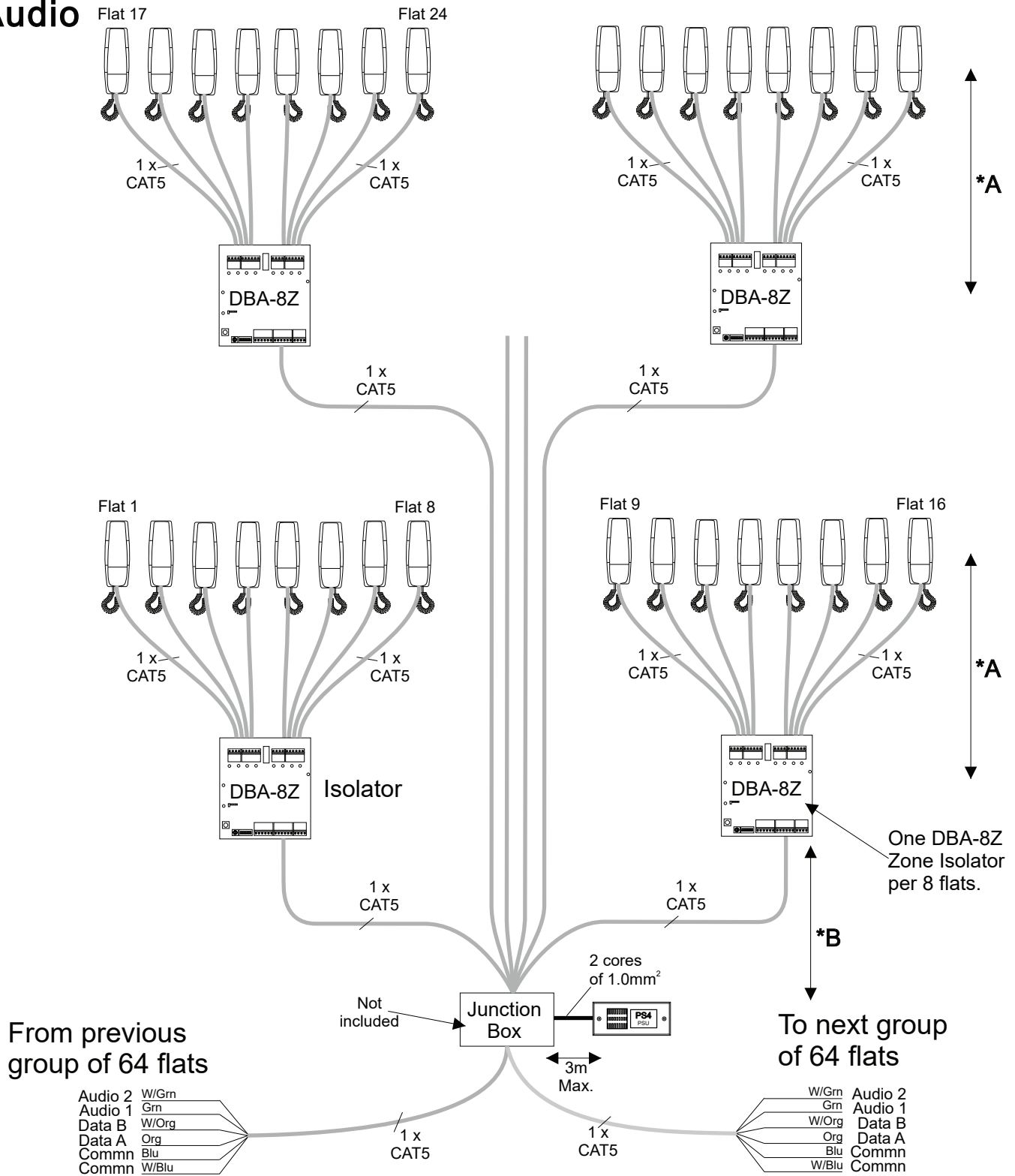
B = Cable distance between DBA-8Z and Junction Box.

For longer distances please contact the manufacturer.

From the entrance control (BFD-DIG)

IMPORTANT
This diagram applies for up to 64 phones. If 2 phones are in a flat then this diagram applies for up to 32 flats and 4 DBA-8Z.

Next 64 flats/Phones



Cable distances

Phones/ flat	*A Max.	*B Max.
1 x 801 Series	70m	100m
2 x 801 Series	35m	60m
1 x XL5-LX	65m	70m
2 x XL5-LX	30m	40m

A = Cable distance between phone(s) and DBA-8Z.

B = Cable distance between DBA-8Z and Junction Box.

For longer distances please contact the manufacturer.

IMPORTANT

This diagram applies for up to 64 phones. If 2 phones are in a flat then this diagram applies for up to 32 flats and 4 DBA-8Z.