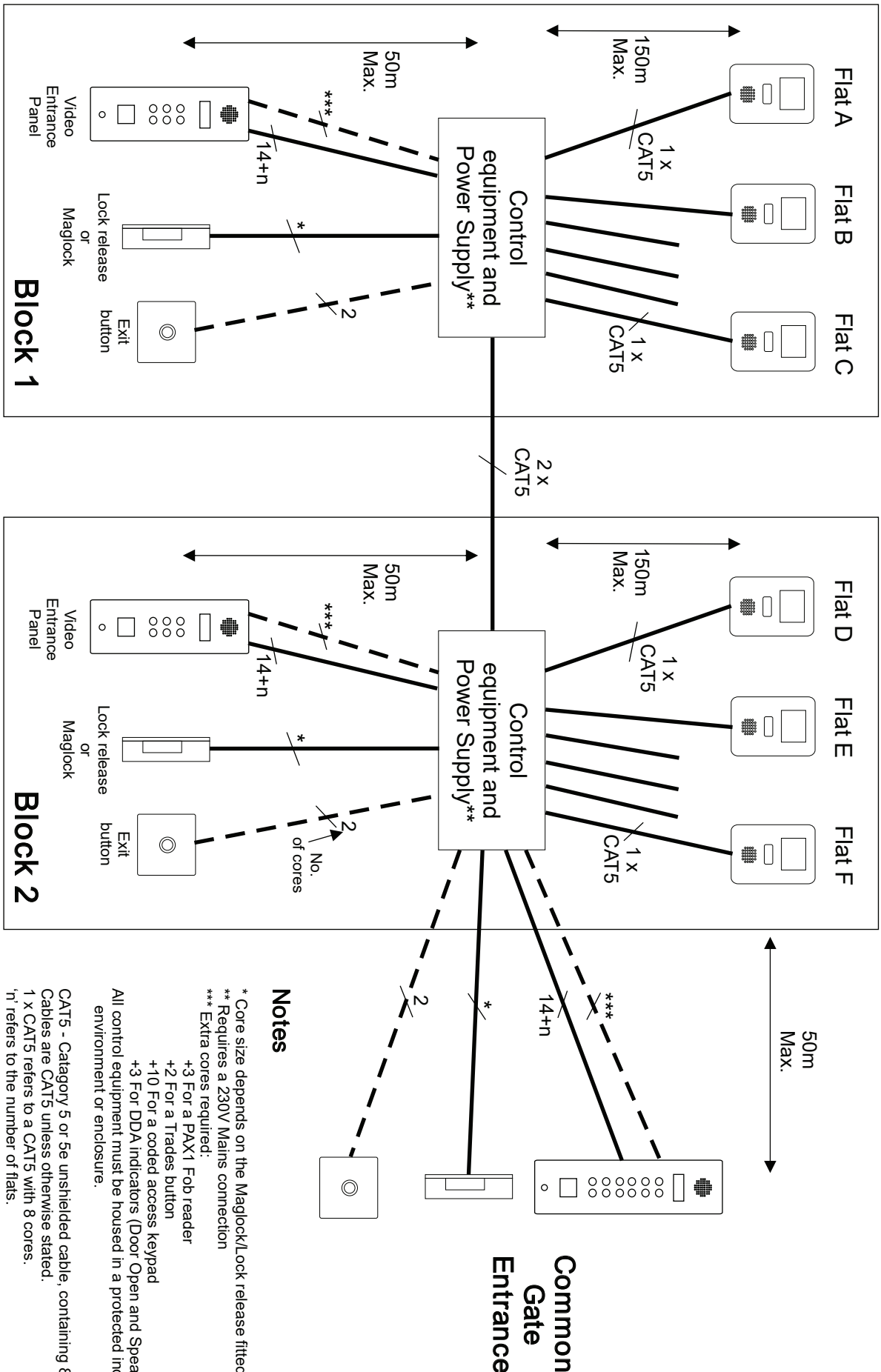


Belfree typical small system cable overview

2 blocks and a common gate



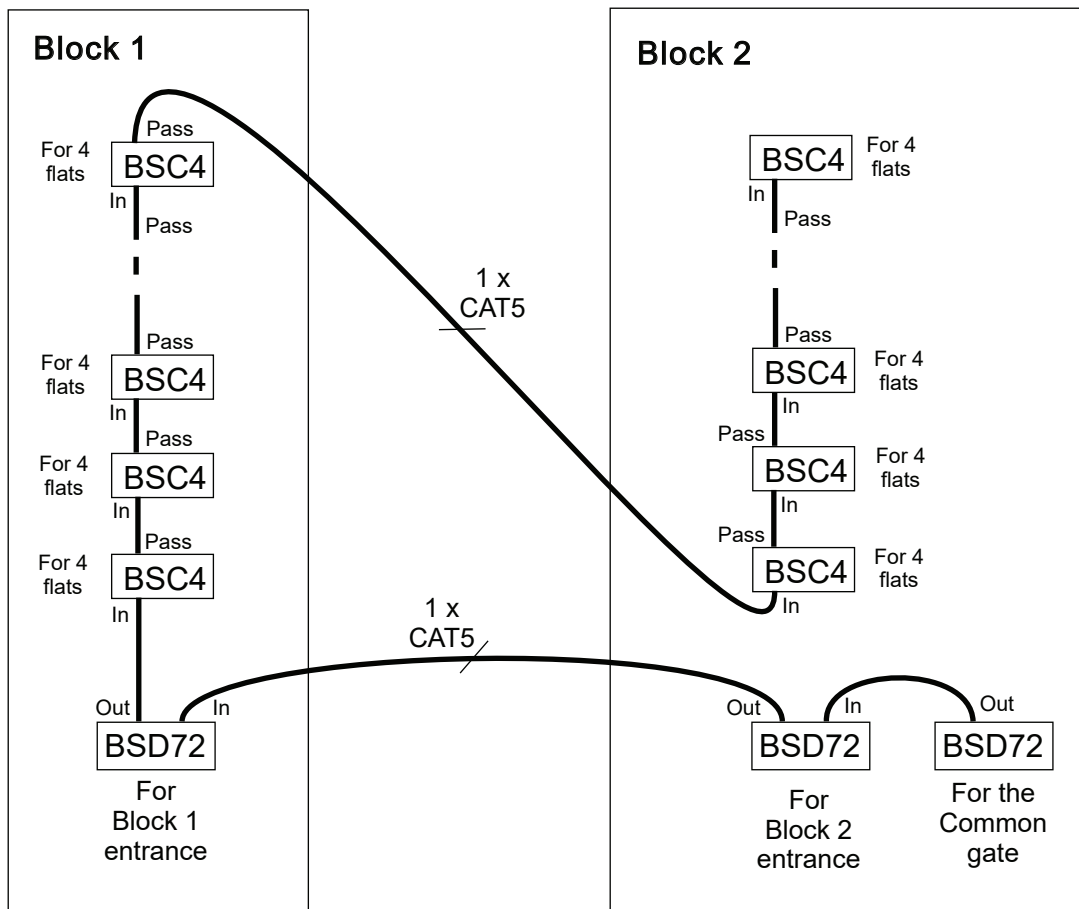
Notes

- * Core size depends on the Maglock/Lock release fitted
 - ** Requires a 230V Mains connection
 - *** Extra cores required:
 - +3 For a PAX1 Fob reader
 - +2 For a Trades button
 - +10 For a coded access keypad
 - +3 For DDA indicators (Door Open and Speak Now)
- All control equipment must be housed in a protected indoor environment or enclosure.
- CAT5 - Category 5 or 5e unshielded cable, containing 8 cores. Cables are CAT5 unless otherwise stated.
 1 x CAT5 refers to a CAT5 with 8 cores.
 'n' refers to the number of flats.

Refer to the belfree manual BF2-72 Way PD-172

Any Maglock used must be fitted with suitable transient voltage suppression, e.g. MOV.

Video system interlinking



Power supply connections not shown

All cables on this page are CAT5 (8 cores)

Terminal block key
In - Input
Out - Output
Pass - Passthru