

# Bellagio cabling supplement

## Typical Large Gate and Block Video System with Bellagio digital video call panels and ACTPro Fob system

### Notes

\* Core size/number depends on the Maglock/Lock release fitted and if break glass monitor is required.

\*\* Requires a 230V Mains connection.

All control equipment must be in secure indoor locations or enclosures.  
The minimum amount of cabling is shown, please allow for spares.

#### Cable types:

CAT5 - Category 5 or 5e unshielded cable containing 8 cores.  
Cables are CAT5 unshielded unless otherwise stated.

CAT5 STP - Category 5 or 5e shielded cable containing 8 cores and shield  
1.0mm<sup>2</sup> - 1.0mm<sup>2</sup> Cross sectional area mains cable, Flex or Twin and Earth.

Maximum of 300m cable distance between the furthest 2 points.

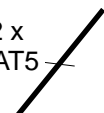
DO NOT USE ALARM CABLE

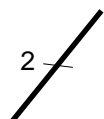
#### Manuals referred to:

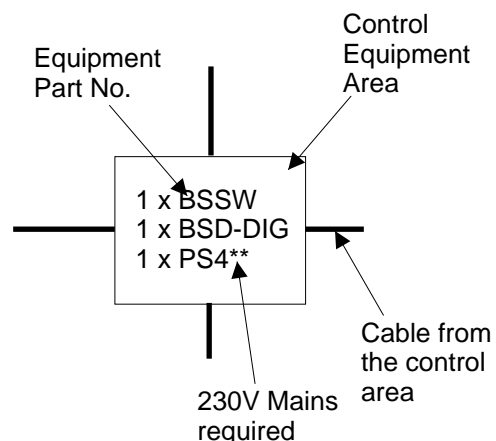
bellagio Manual BG Digital (PD-280 Issue 1+)

bellissimo & Bellcall Manual BSSW Gate and block (PD-120 Issue 2+)

ACT-PRO Manuals

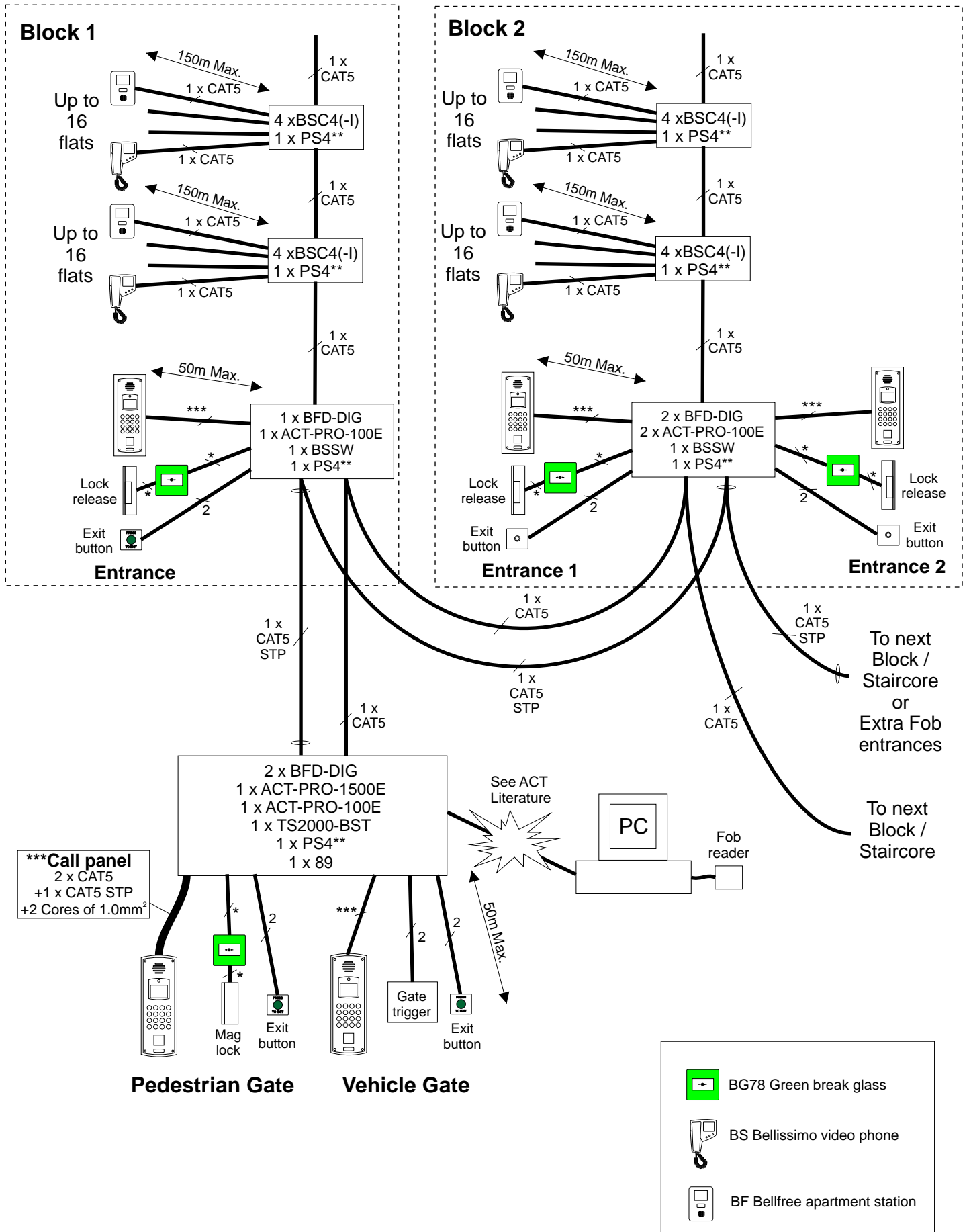
2 x  CAT5 = 2 cable of CAT5 unshielded,  
8 cores in each cable, total of 16 cores

2  = 2 cores of CAT5 unshielded

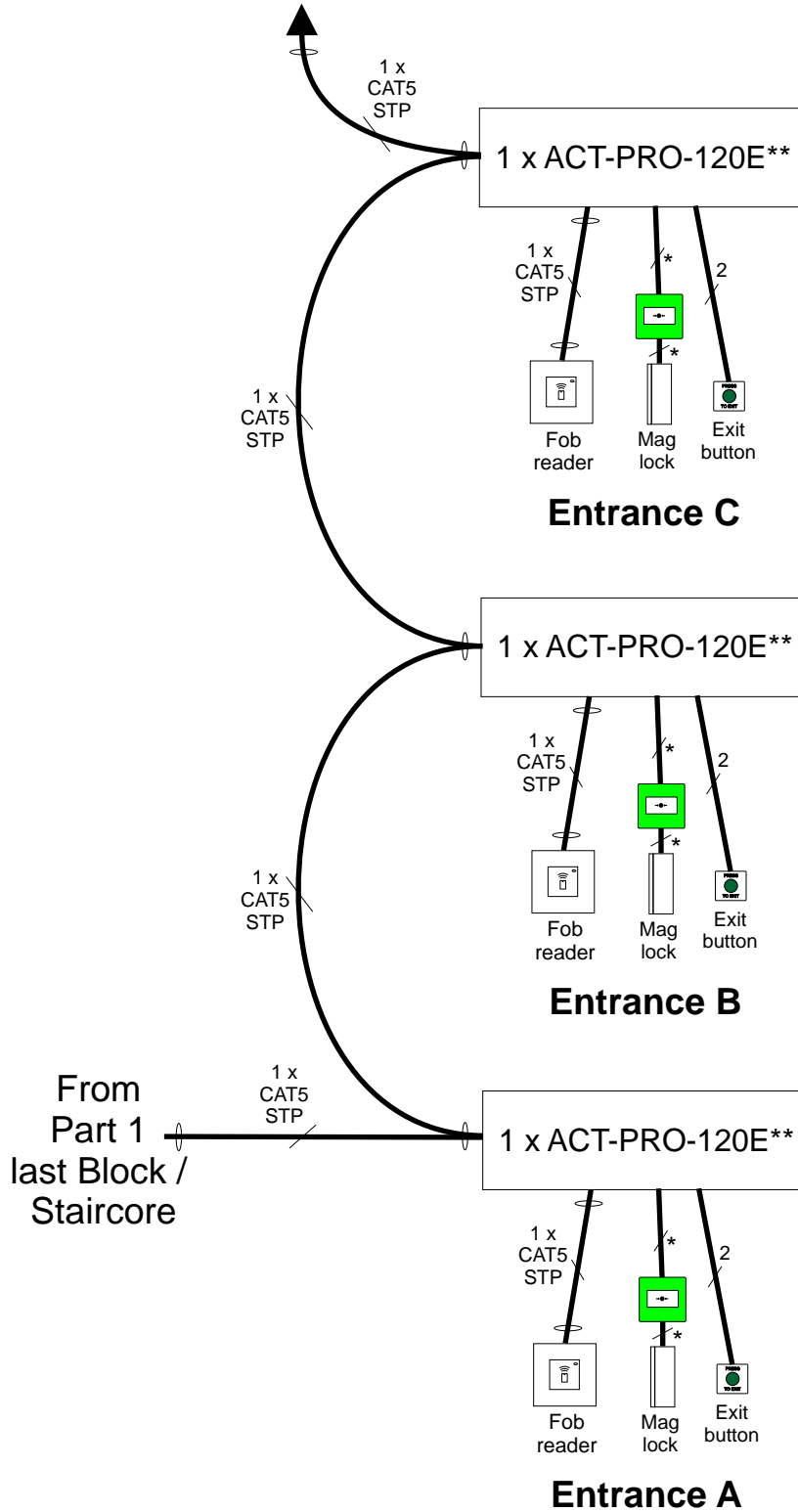


# Video entrances and flats

## Part 1



## Bike, Bin or other Fob entrances Part 2



## Video control equipment interconnection

