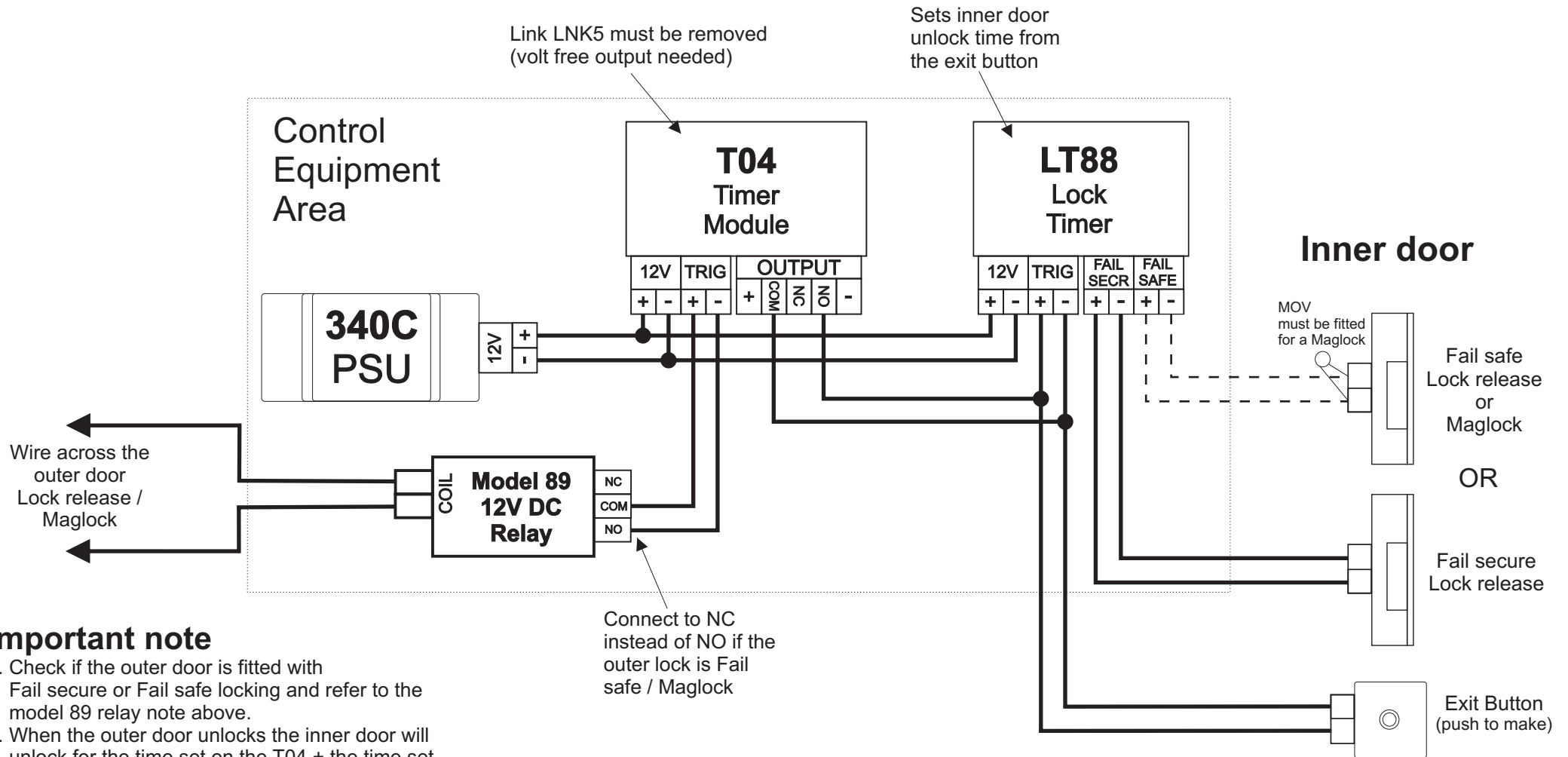


# Adding an inner door to unlock at the same time as an outer door, but for longer (12V DC Systems only)



## Important note

1. Check if the outer door is fitted with Fail secure or Fail safe locking and refer to the model 89 relay note above.
2. When the outer door unlocks the inner door will unlock for the time set on the T04 + the time set on the Lt88.
3. Set the T04 Time module to 'Momentary trigger' mode.
4. Please note the inner door will unlock any time the outer door is unlocked and is not recommended for systems with an exit button or trades button on the outer door (without modification).