

# Cabling Supplement

## Typical Large Block with floor level Bellfree video entry

- A Block with external video entry control/entrances
- Ground floor flats directly accessed through the external entrances
- Floor level video entry control above ground level

## Notes

\* Core size depends on the Maglock/Lock release fitted.

\*\* Requires a 230V Mains connection.

All control equipment must be housed in a protected indoor environment or enclosure. The minimum amount of cabling is shown, please allow for spares.

### Cable types:

CAT5 - Category 5 or 5e unshielded cable containing 8 cores.  
Cables are CAT5 unshielded unless otherwise stated.

CAT5 STP - Category 5 or 5e shielded cable containing 8 cores and shield  
1.0mm<sup>2</sup> - 1.0mm<sup>2</sup> Cross sectional area mains cable, Flex or Twin and Earth.


Maximum of 300m cable distance between the furthest 2 points.

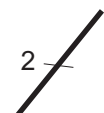
DO NOT USE ALARM CABLE

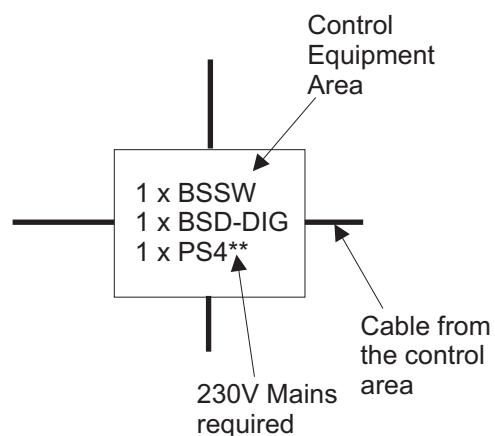
### Manuals referred to:

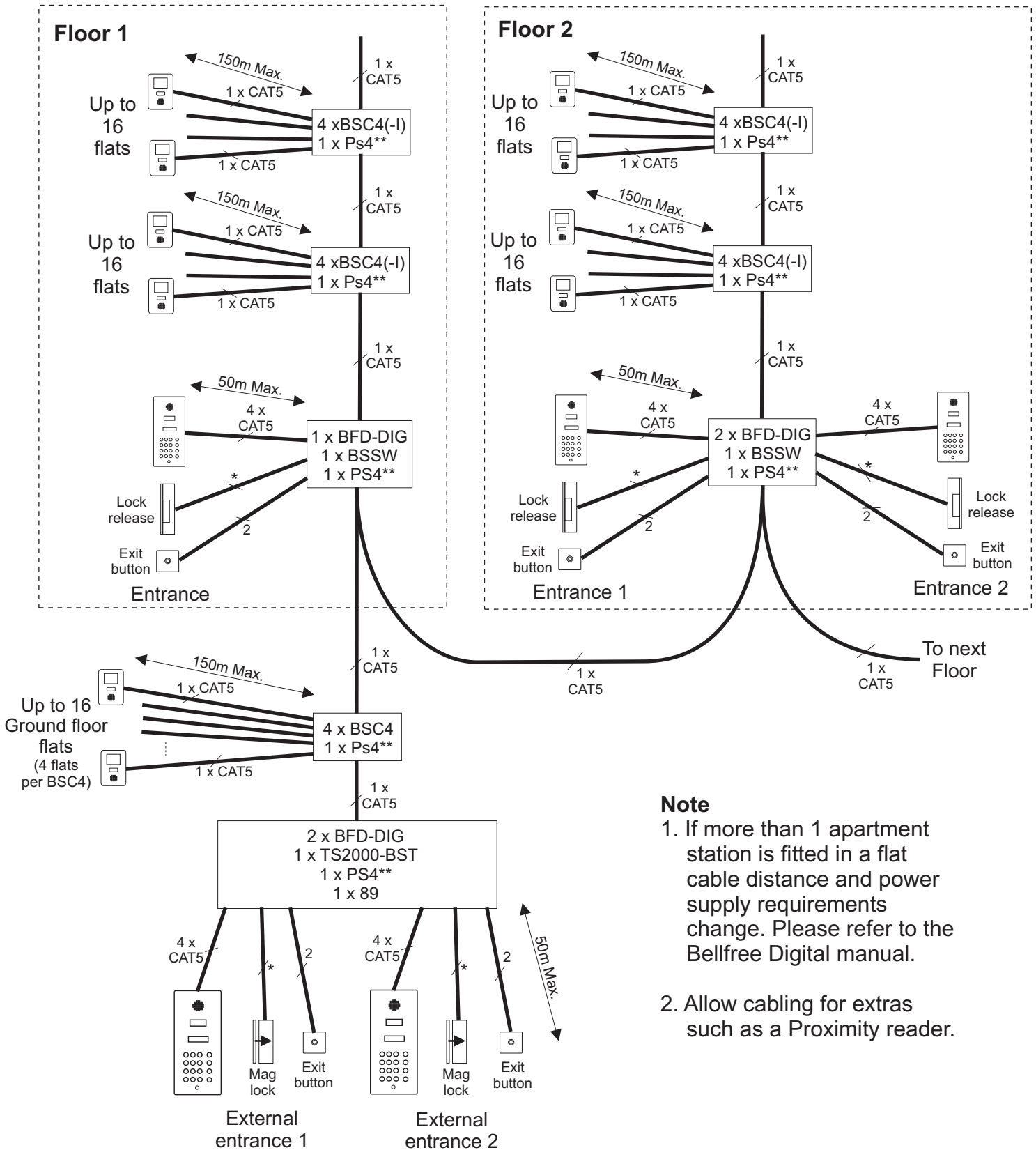
bellfree Manual BF Digital (PD-166)

bellissimo & Bellcall Manual BSSW Gate and block (PD-120)

2 x  = 2 cable of CAT5 unshielded,  
8 cores in each cable, total of 16 cores

2  = 2 cores of CAT5 unshielded





# Control equipment interconnection

