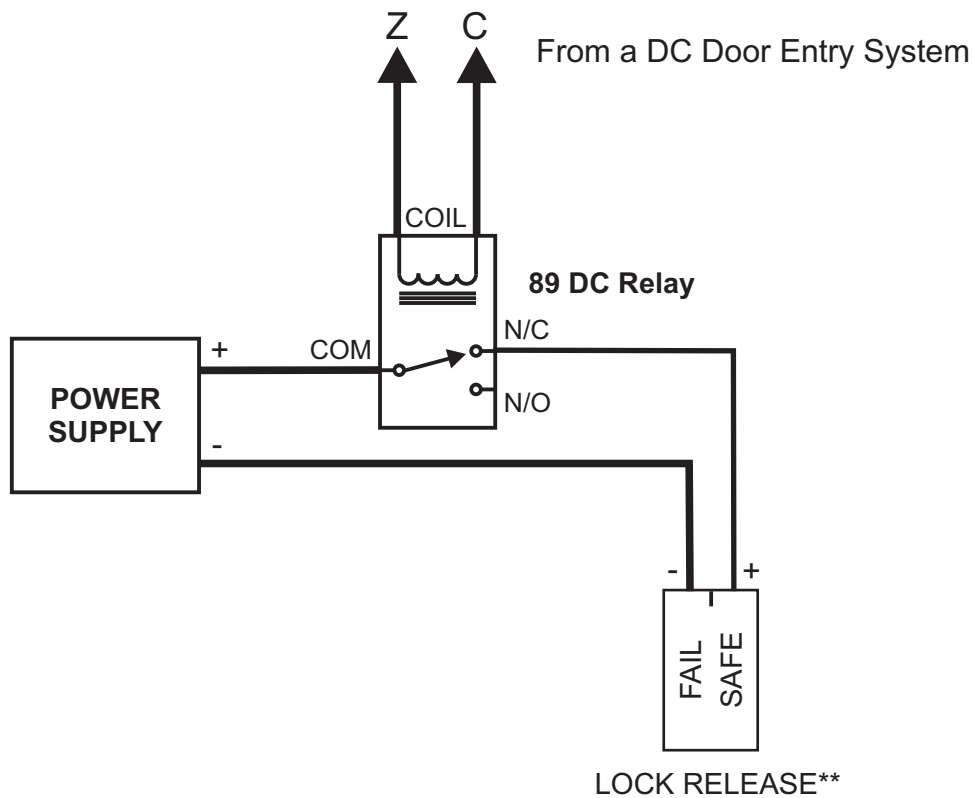


## Connecting a Fail Safe Lock Release to a DC System



### Suitable Bell System Power Supplies

Product	Description	Fail Safe	Fail Secure
340C	12V DC Power Supply		1.5A
PS4	12V DC Power Supply		4A
640	12V DC Power Supply		1.0A
840	12V DC Power Supply		3A

\*\* If a Maglock is to be used make sure a transient suppressor (e.g. diode or varistor) is fitted directly across it.