

Cabling / Wiring

Description Typical Digibell VR 2 Gate and Block wiring with zone isolated Houses using the BSSW Gate Isolator

Revision PD-208 Issue 2

Notes

Cabling - **Pages 2 to 7**
Important Settings - **Pages 8 to 9**
Detailed wiring - **Pages 10 to 16**

* Core size depends on the Maglock/Lock release fitted.

** Requires a 230V Mains connection.

Cable types:

CAT5 - Category 5 or 5e unshielded cable containing 8 cores.

Cables are CAT5/5e unshielded unless otherwise stated.

1.0mm² - 1.0mm² Cross sectional area mains cable, Flex or Twin and Earth.

Maximum of 300m cable distance between the furthest 2 points and a maximum of 1Km of cable connected to any one point.

All control equipment must be located in protected indoor environments or enclosures. The minimum amount of cable has been indicated, please allow for spares.


Maglocks or Highly inductive locking devices must be fitted with suitable transient voltage suppression


Do not use alarm cable.

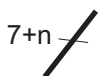
Manuals required:

DigiBell Vandal Resistant System Installation Guide (PD-169) - Digital entrances
BSSW Gate and Block Manual (PD-120) - BSSW Settings and terminals
bellissimo Manual BSn Multiway (PD-098 Iss 3C) - 1 button per flat entrances

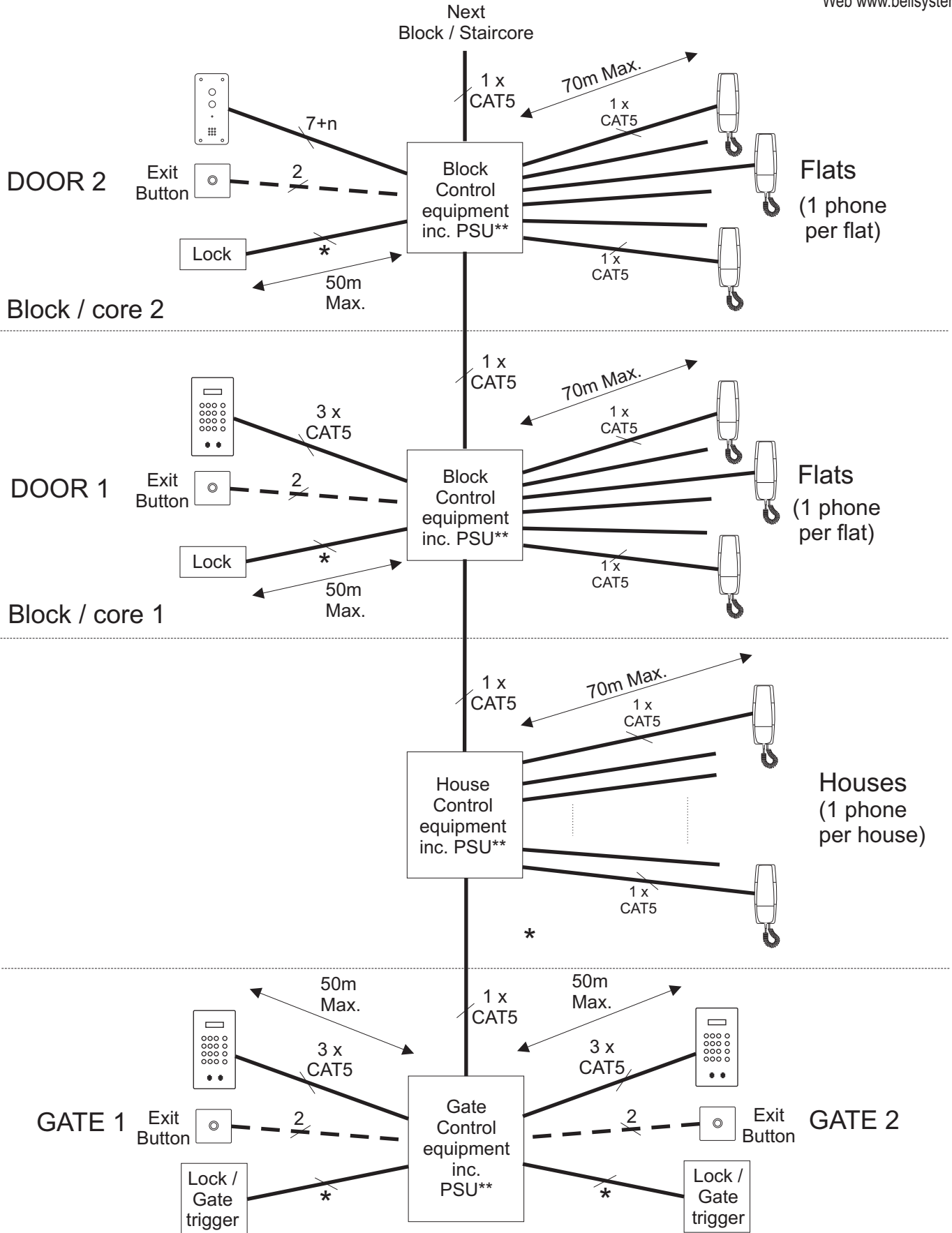
Please check for extra cable requirements such as any Fob reader / Fob system or extra coded access keypad on the blocks

 = 2 cores of CAT5 unshielded

 = 2 cable of CAT5 unshielded, 8 cores in each cable, total of 16 cores

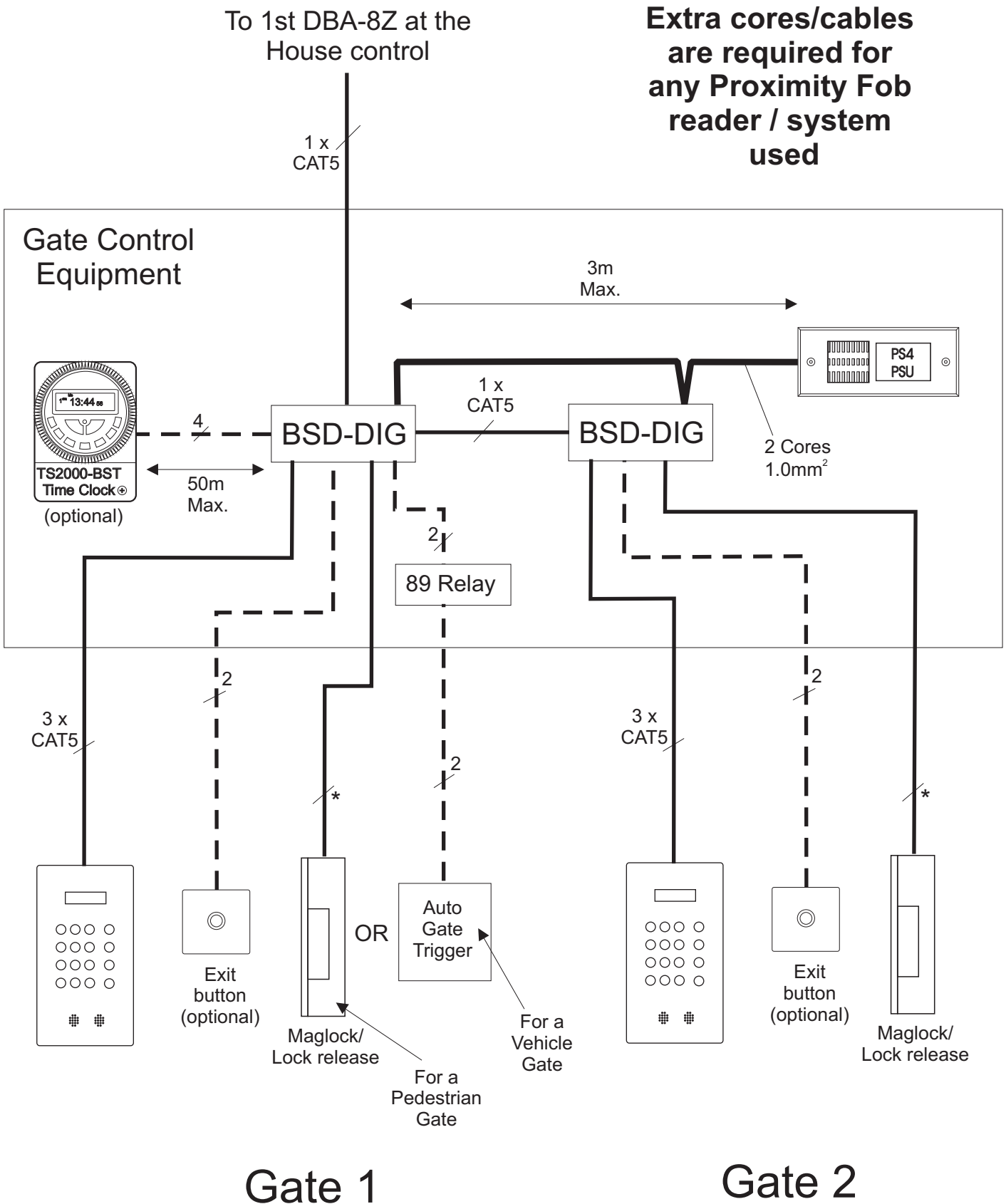
 = 7 + (the number of flats/call buttons) cores of CAT5 unshielded

General Overview

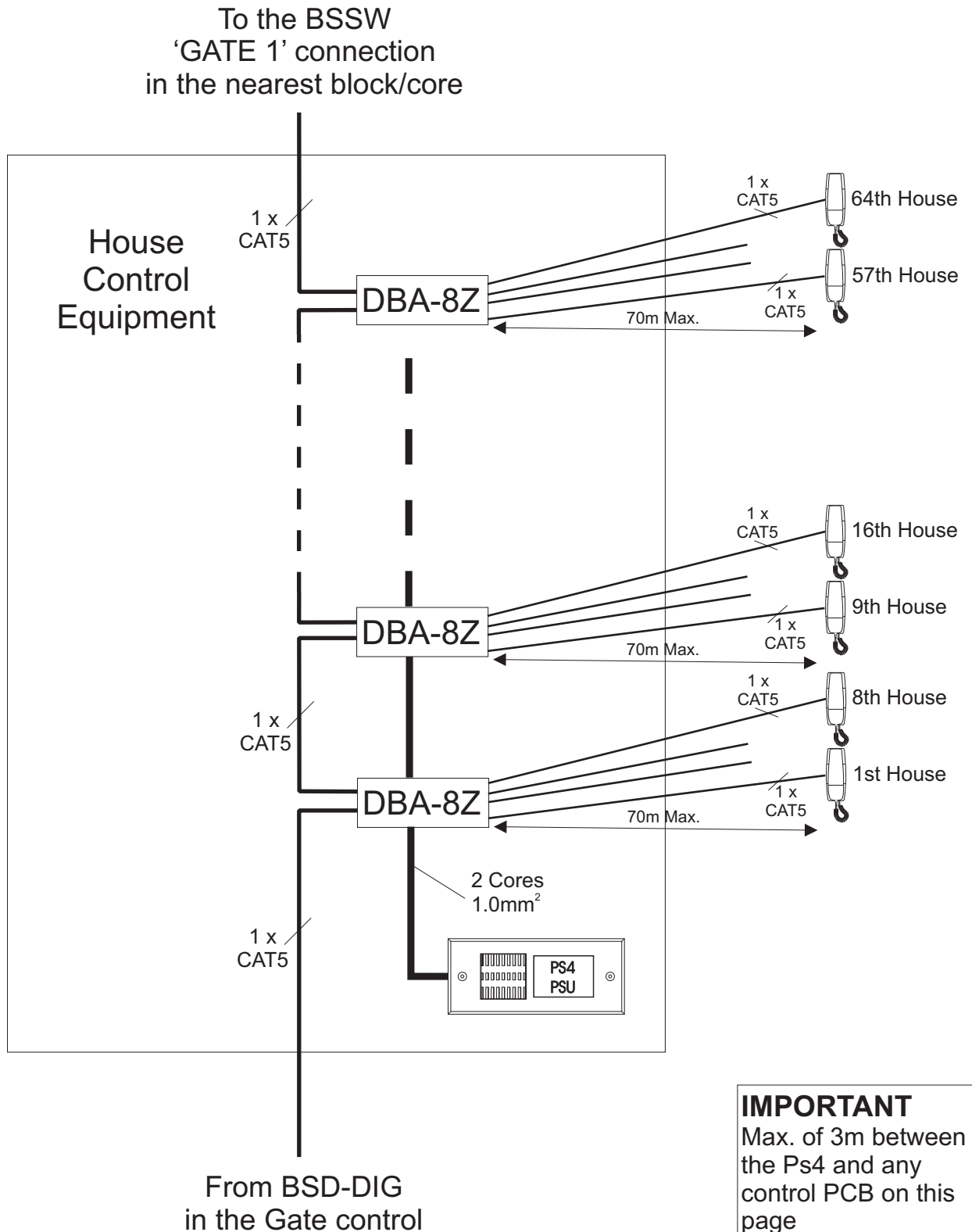


Extra cores/cables are required for any Proximity Fob reader / system used

Cabling - Gates



Cabling - Houses

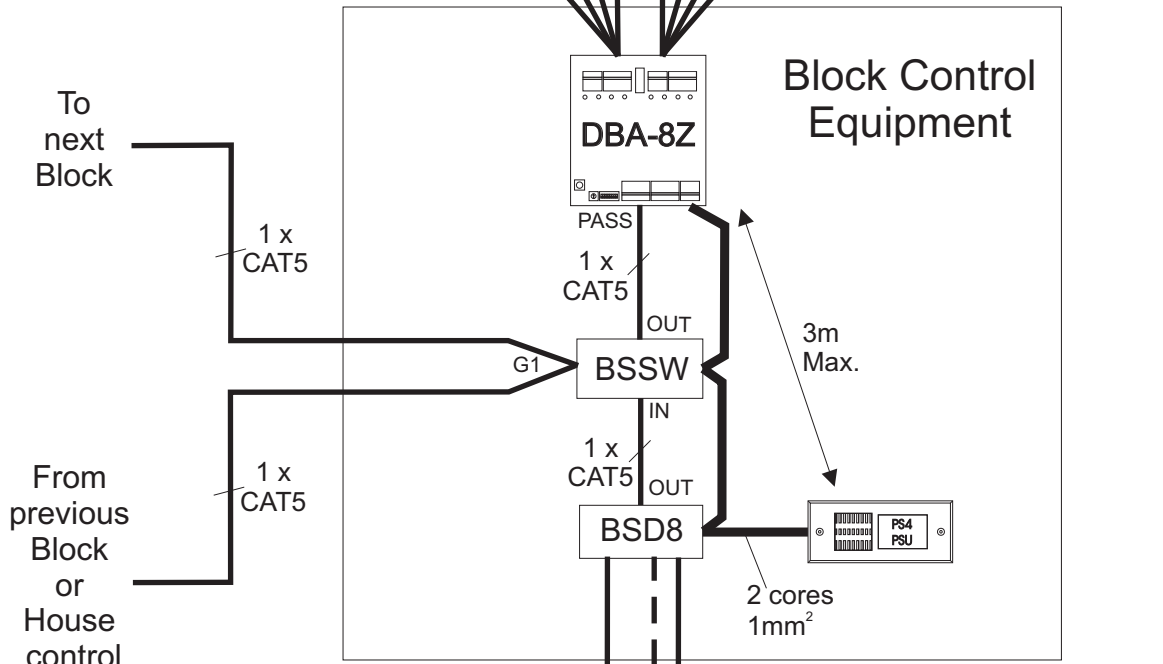
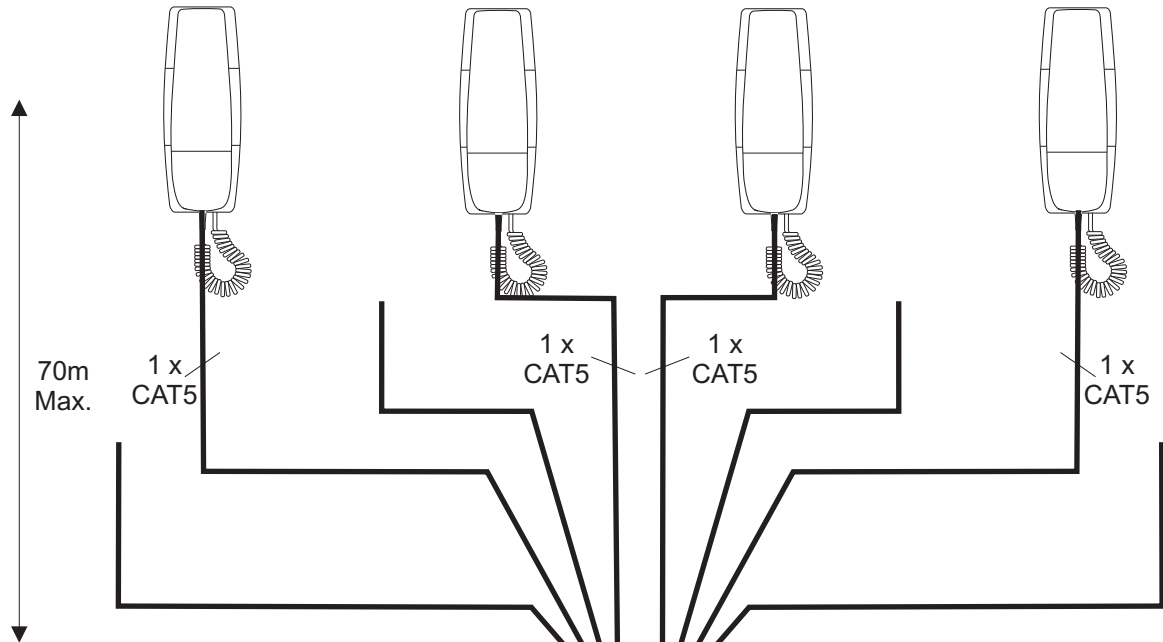


IMPORTANT
Max. of 3m between the Ps4 and any control PCB on this page

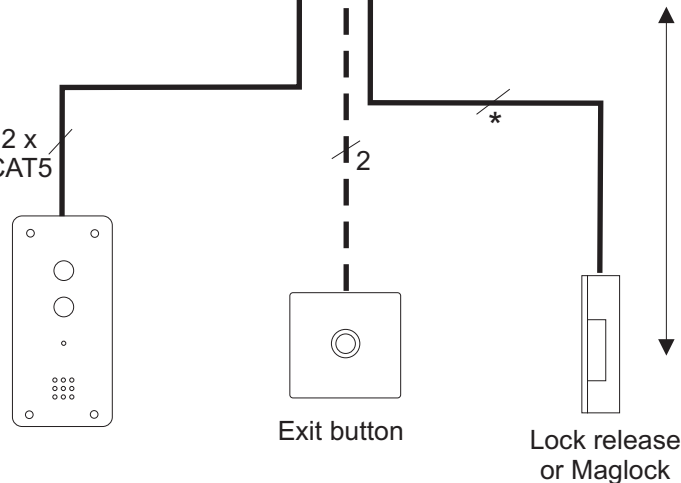
Max. of 64 phones / 8 x DBA-8Z, with 1 phone per house

Cabling - Block of up to 8 flats (1 button per flat entrance panel)

Up to 8 flats



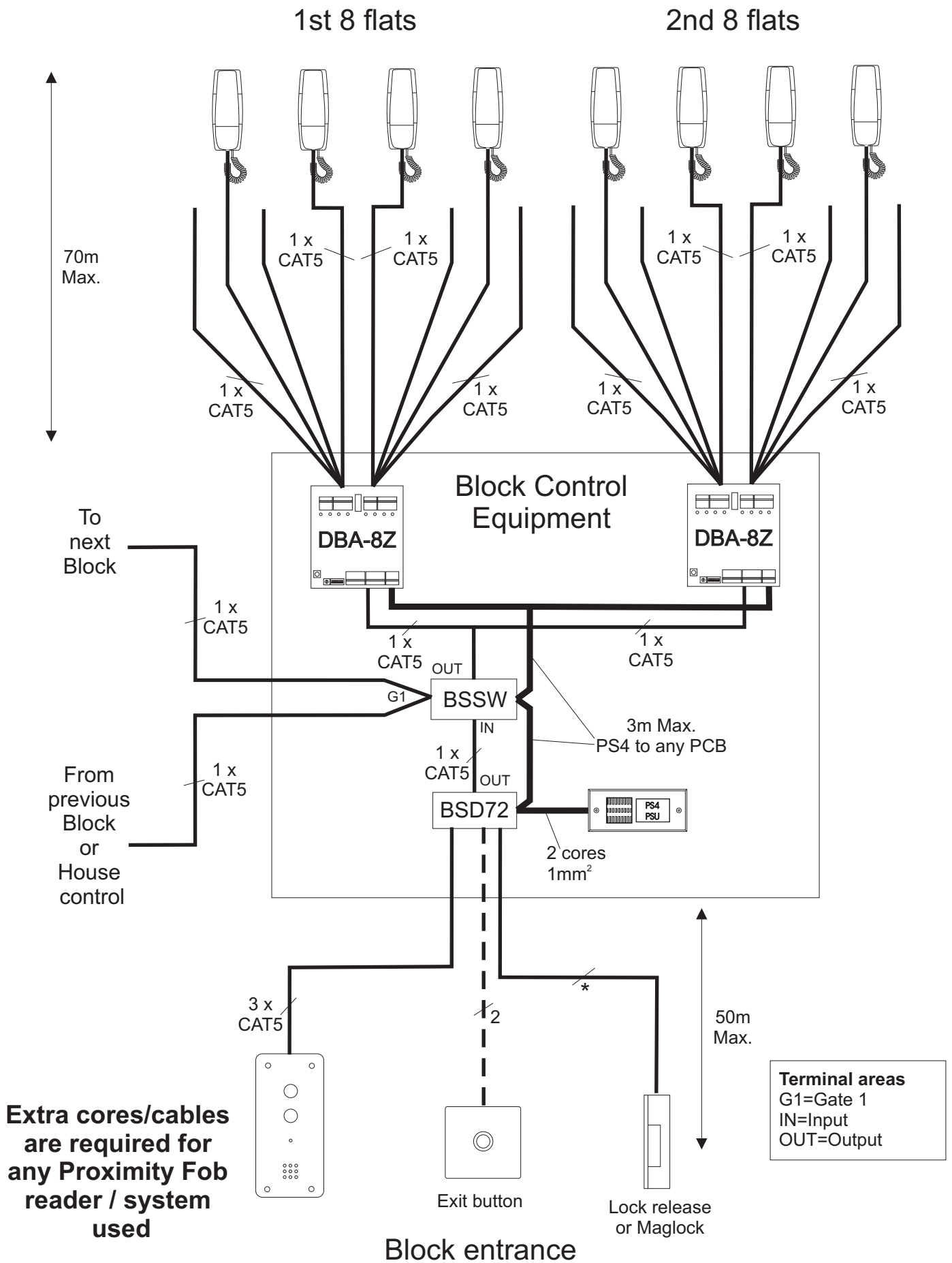
Extra cores/cables are required for any Proximity Fob reader / system used



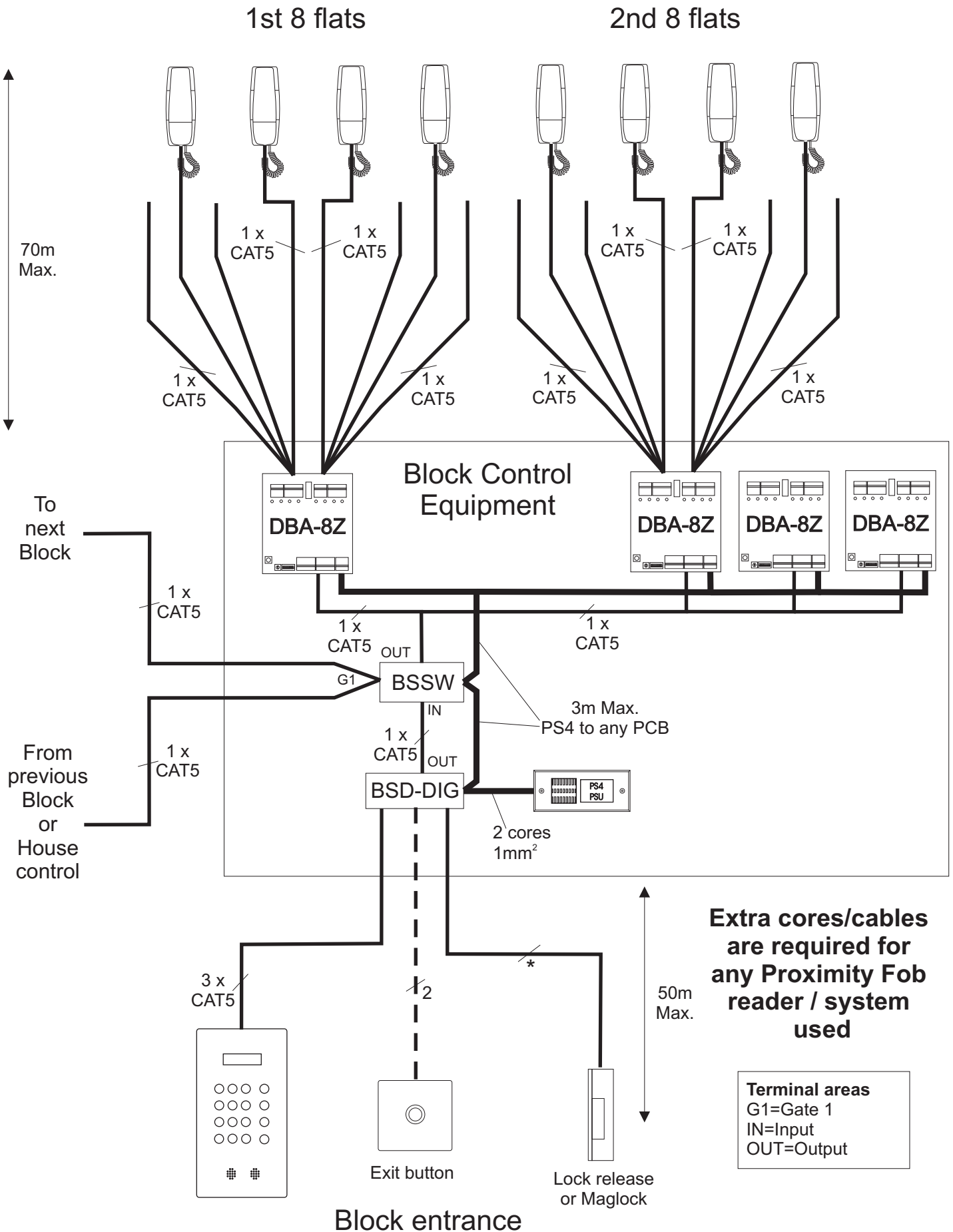
Terminal areas
G1=Gate 1
IN=Input
OUT=Output
PASS=PASSTHRU

Block entrance

Cabling - Block of up to 16 flats (1 button per flat entrance panel)



Cabling - Block of up to 32 flats (Digital VR entrance panel)



Important setting up information - Part 1

The majority of settings are normally left on there defaults. Do not set the DBA-8Z flat addresses according to the Digibell VR guide, follow below instead. *Contact technical support if the flat numbers are not sequential, if there are duplicate numbers, above 240 or contain a letter.*

Blocks/Cores with no digital entrance panel on the block (using BSD8/BSD72 controller)

To configure the addressing for the correct flat numbers:

DBA-8Z Isolator Settings for each block / core:

1st DBA-8Z / 8 flats in a block/core, rotary switch SW6=1, DIP-switch SW7 all off
2nd DBA-8Z / 8 flats in a block/core, rotary switch SW6=3, DIP-switch SW7 all off
3rd DBA-8Z / 8 flats in a block/core, rotary switch SW6=5, DIP switch SW7 all off
4th DBA-8Z / 8 flats in a block/core, rotary switch SW6=7, DIP switch SW7 all off
Remember to disable unused phone connections to avoid 2 units having the same addresses (refer to the Digibell VR guide).

BSSW Gate Switcher / Isolator Settings for each block / core (refer to the BSSW manual PD-120):

Rotary switch SW2 and DIP-switch SW3 should be set so that:

SW2/3 offset value = (Actual flat number enter at the gate for 1st flat in the block) - 1

e.g. If Block 1 has flat numbers 23 to 28 (6 flats)

SW2/3 subtraction value = 23 - 1 = 22

Set SW2 to position 6 (20)

Set SW3 to 1,2,3 OFF and 4 ON (2)

Call button wiring:

The 1st 8 flats in the block must use call inputs 1 (1st flat) to 8 (8th flat) on the BSD8/72 Door controller in that block. The 2nd 8 flats in the block must use call inputs 9 to 16 and so on.

Entrance settings:

Settings for each block entrance such as ring time, call time, unlock duration, lock type are all set by 3 rows of DIPswitches on the associated BSD8/72 Door controller (refer to the bellissimo manual).

Important setting up information - Part 2

Blocks/Cores with digital entrance panel on the block (using BSD-DIG controller)

To configure the addressing for the correct flat numbers:

DBA-8Z Isolator Settings for each block / core

Set SW6 and SW7 on each according to the Digibell VR guide. Remember to disable unused phone connections (refer to the Digibell VR guide).

BSSW Gate Switcher / Isolator Settings for each block / core (refer to the BSSW manual PD-120)

Set Sw2 to 0
Set Sw3 to all OFF

Entrance

Settings for each such as ring time, call time, unlock duration, lock type are all set through the block/core entrance panel, refer to the Digibell VR guide

Houses (or flats that only control the gates)

DBA-8Z Isolator Settings for the houses:

Set SW6 and SW7 on each according to the Digibell VR guide. Remember to disable unused phone connections (refer to the Digibell VR guide).

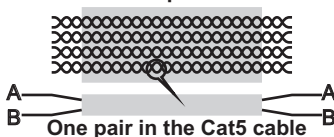
Gates

Settings for the gate such as ring time, call time, unlock duration, lock type are all set through the gate entrance panel, refer to the Digibell VR guide.

Speech Levels

Levels are adjusted at each entrance panel. Screwdriver adjustment, for each direction, may be required at the rear of the speech grill.

All signal cable **MUST** be Cat5
Cat5 4 twisted pairs data cable.

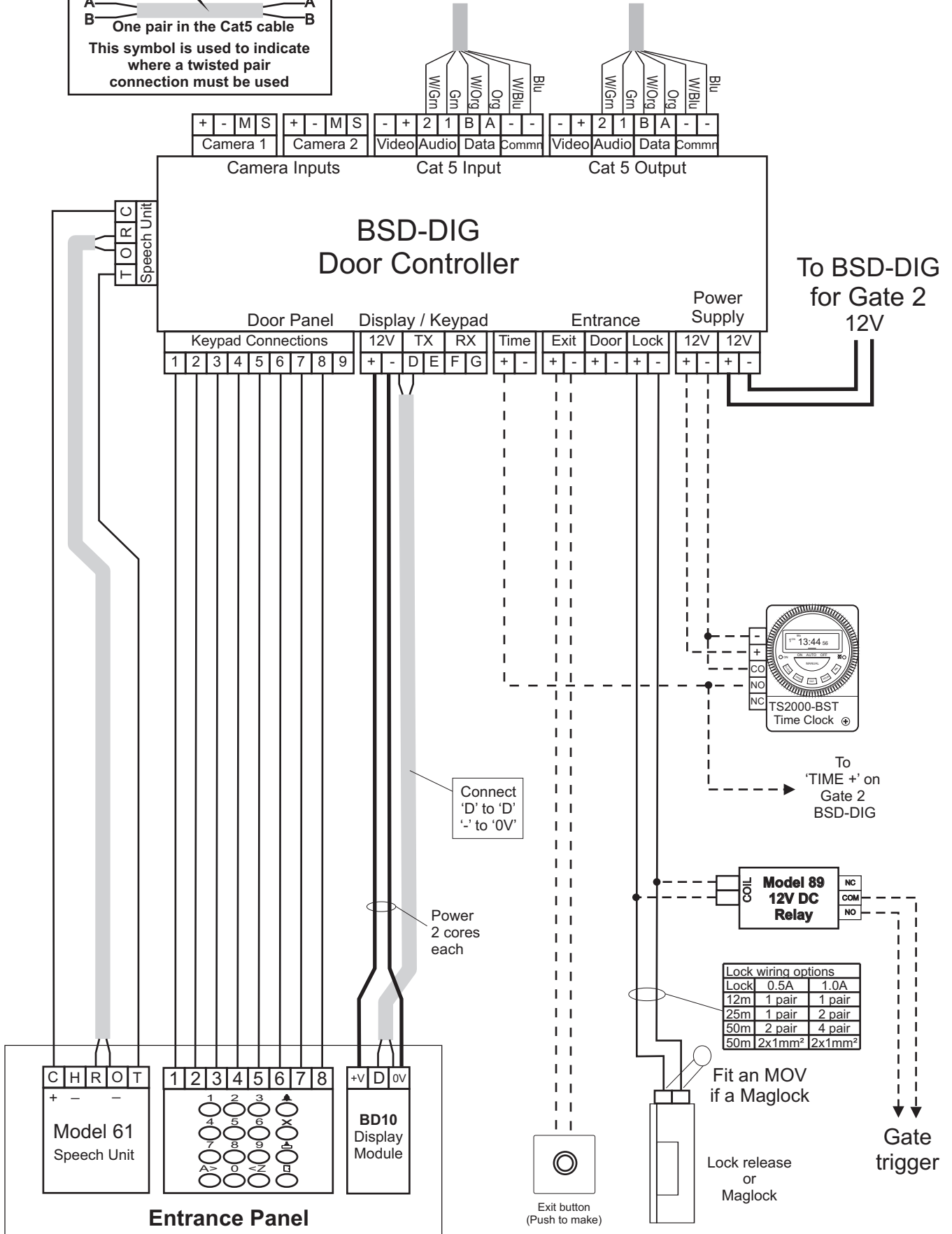


One pair in the Cat5 cable

This symbol is used to indicate where a twisted pair connection must be used

From 'Cat 5 Output' of Gate 2 BSD-DIG Door Controller

To 'INPUT' connection of 1st DBA-8Z in the house control



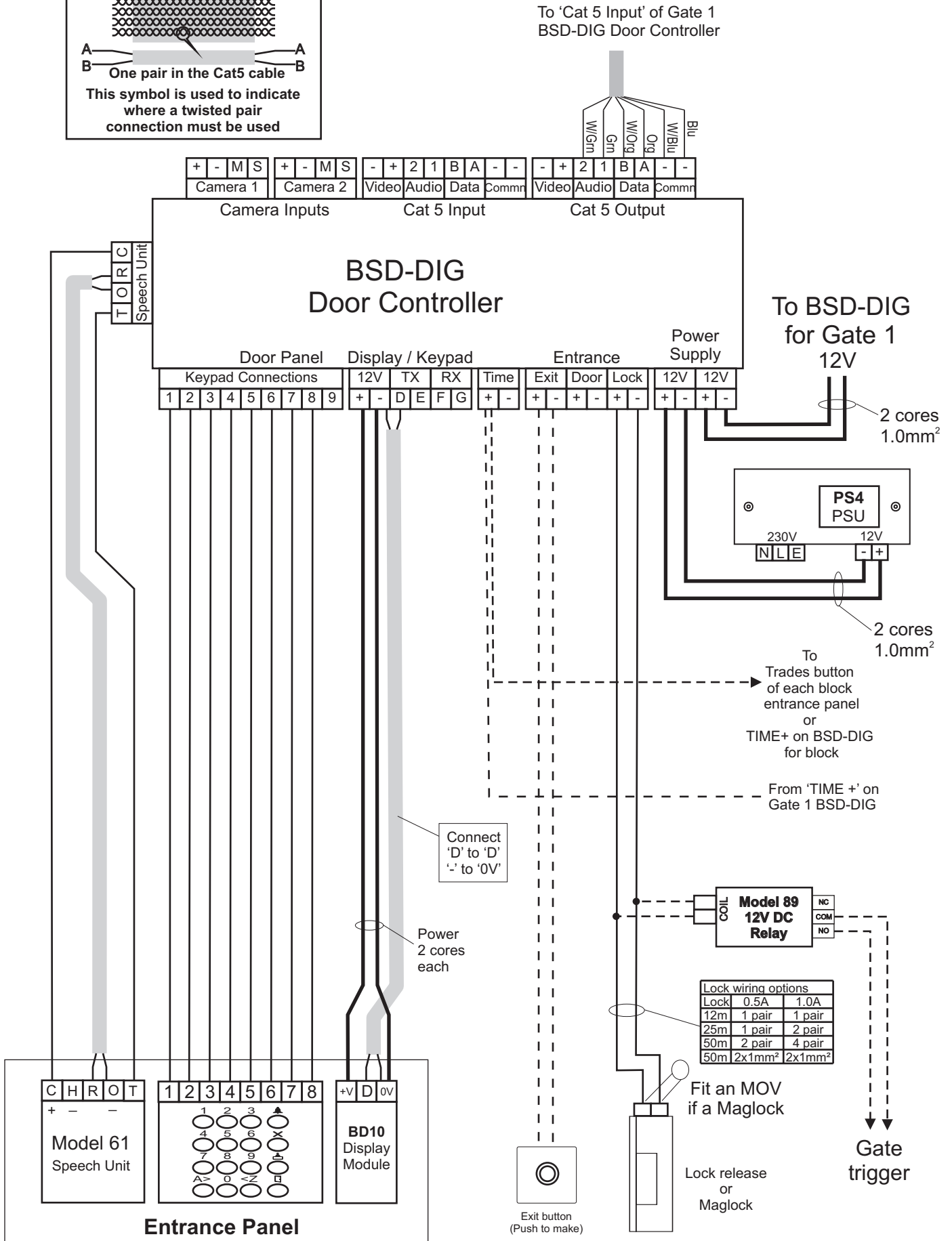
Lock wiring options

Lock	0.5A	1.0A
12m	1 pair	1 pair
25m	1 pair	2 pair
50m	2 pair	4 pair
50m	2x1mm ²	2x1mm ²

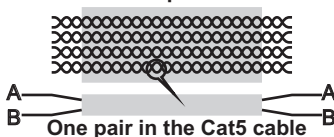
All signal cable MUST be Cat5
Cat5 4 twisted pairs data cable.

A
B
One pair in the Cat5 cable

This symbol is used to indicate where a twisted pair connection must be used

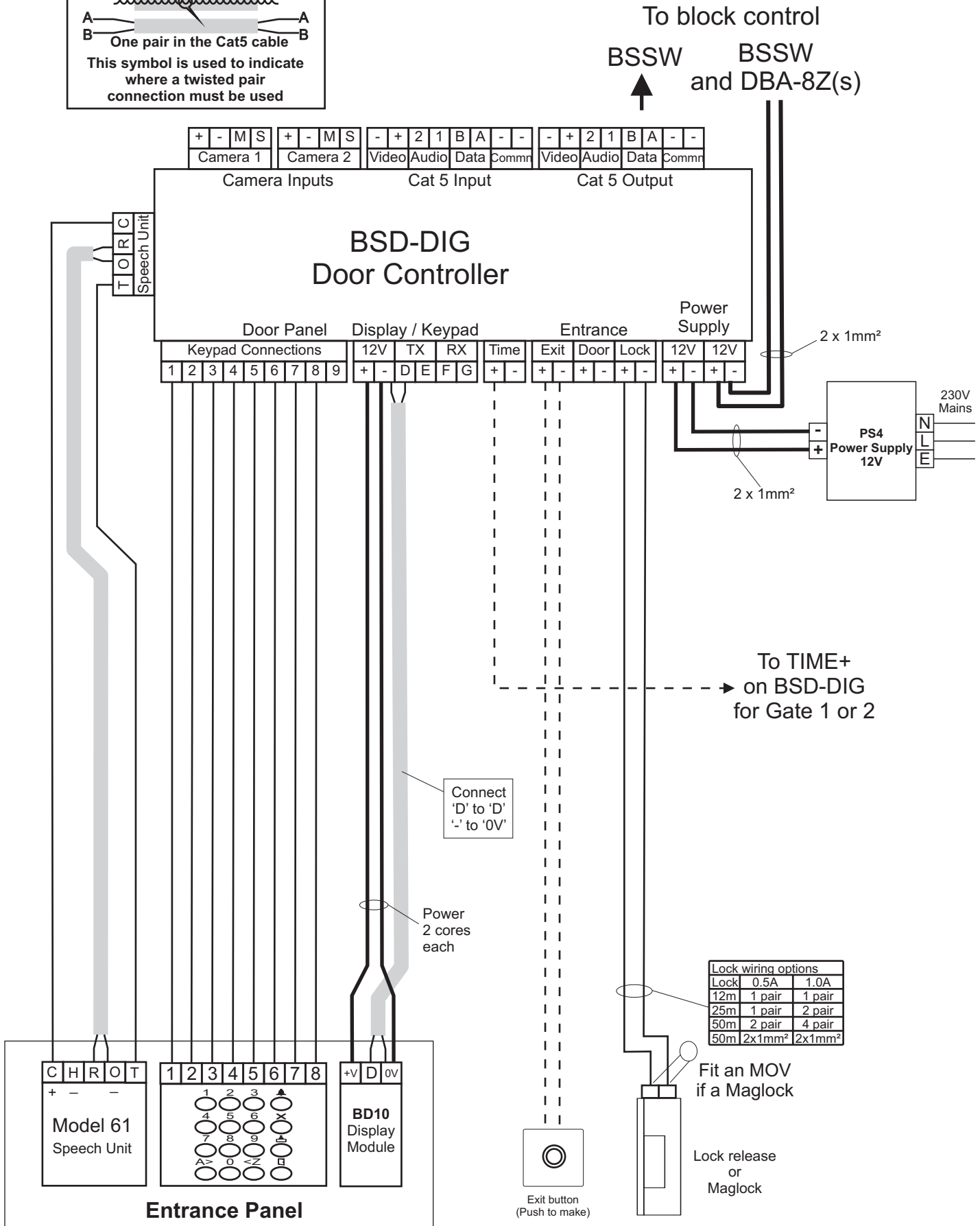


All signal cable **MUST** be Cat5
Cat5 4 twisted pairs data cable.

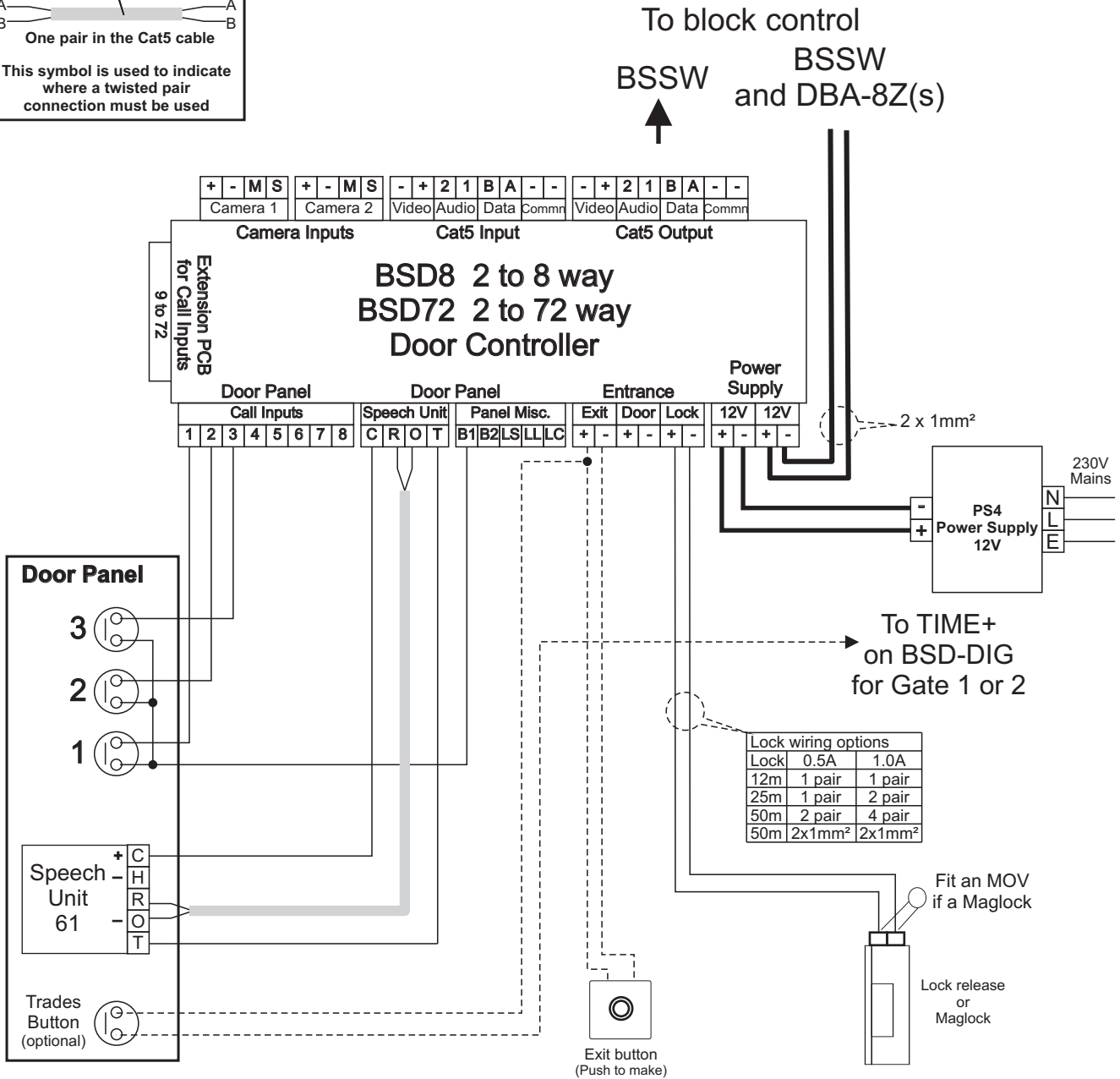
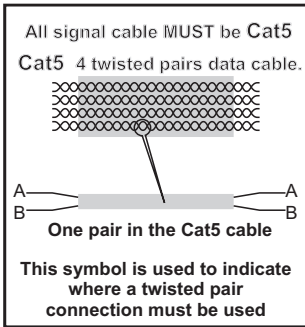


One pair in the Cat5 cable

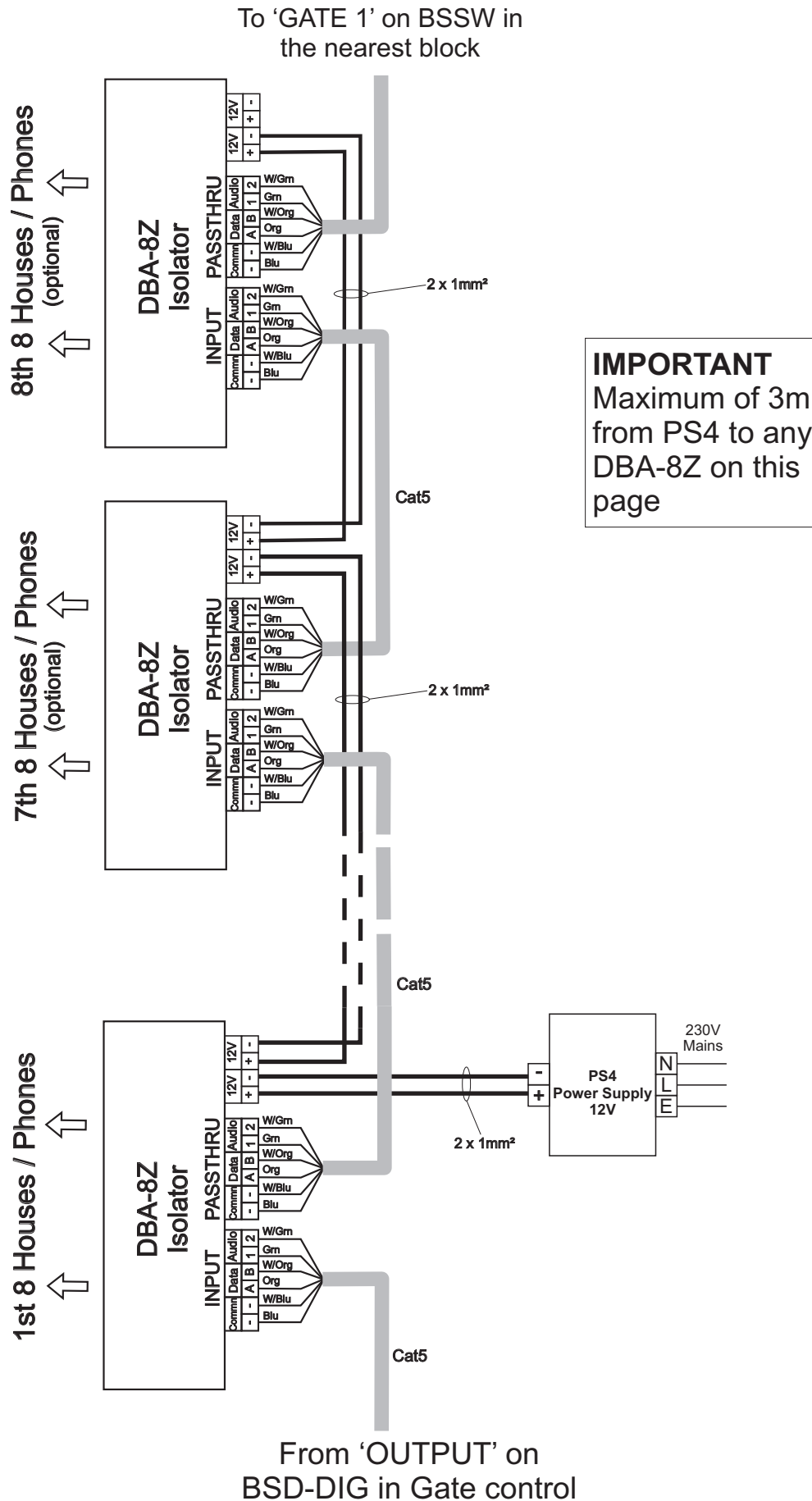
This symbol is used to indicate where a twisted pair connection must be used



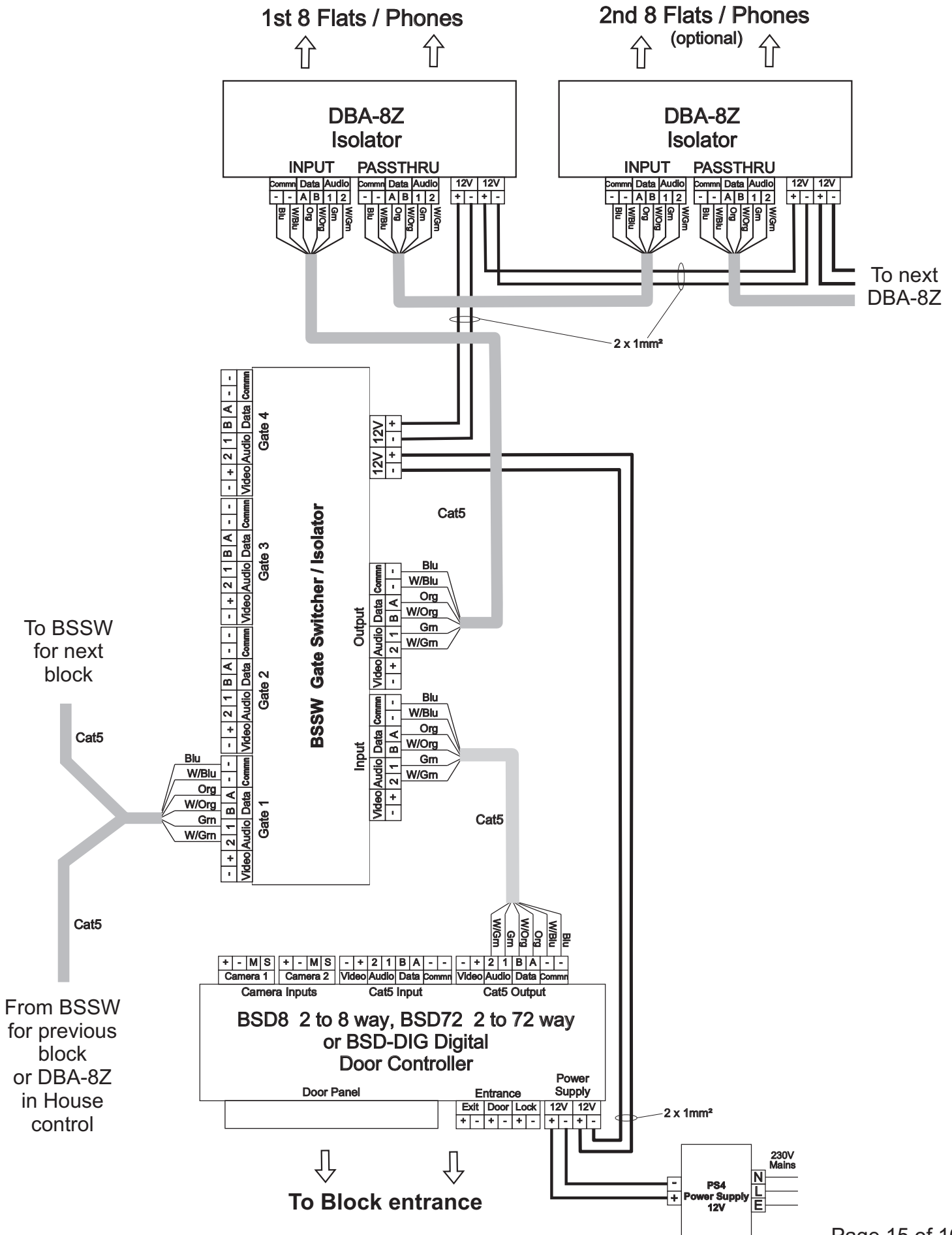
Wiring - Block / Core Entrance (not digital entrance panels)



Wiring - House control



Wiring - Block Control



Wiring - Phones / Flats or Houses

