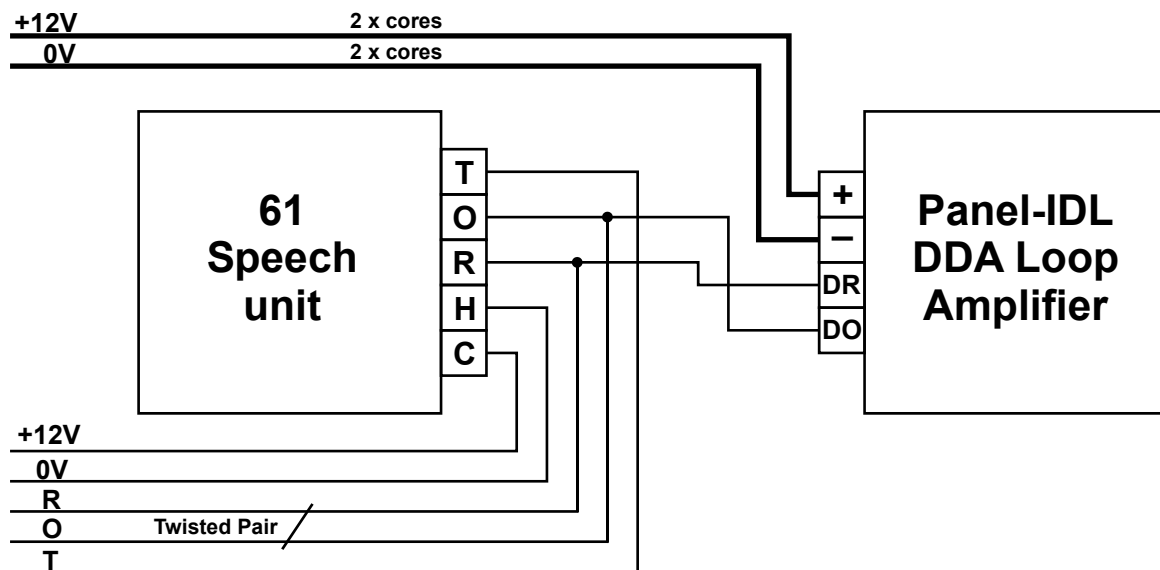


Panel-IDL – DDA Loop Amplifier

Systems Using a 61 Speech Unit



Wiring

The Loop amplifier has power wiring as shown and this **MUST** be an **extra** 2 pairs of cores, 2 cores each for + and – as this unit uses a significant amount of power.

The unit **MUST** be powered from a d.c. power supply.

Adjustments

The rotary knob on the back of the unit sets the output level. We suggest setting at $\frac{1}{2}$ rotation to start and adjust from there.

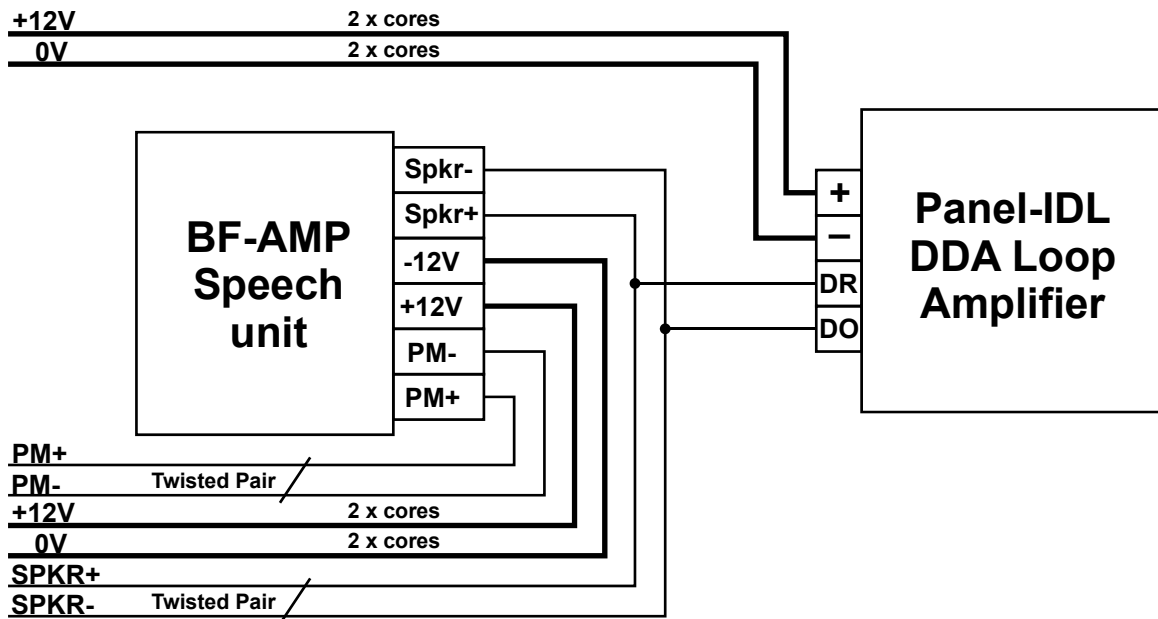
Warning: The volume level increases as the knob is turned Anticlockwise on build 1 units.

Usage

The induction loop coil is mounted behind the loop symbol on the panel. Due to limitations of using a small loop, the signal strength is stronger nearer the panel and above and below the symbol. There is a no signal zone directly in front of the symbol, so panel height relative to the users is important.

Panel-IDL – DDA Loop Amplifier

bellfree Systems



Wiring

The Loop amplifier has power wiring as shown and this **MUST** be an **extra** 2 pairs of cores, 2 cores each for + and – as this unit uses a significant amount of power.

The unit **MUST** be powered from a d.c. power supply.

Adjustments

The rotary knob on the back of the unit sets the output level. We suggest setting at ½ rotation to start and adjust from there.

Warning: The volume level increases as the knob is turned Anticlockwise on build 1 units.

Usage

The induction loop coil is mounted behind the loop symbol on the panel. Due to limitations of using a small loop, the signal strength is stronger nearer the panel and above and below the symbol. There is a no signal zone directly in front of the symbol, so panel height relative to the users is important.