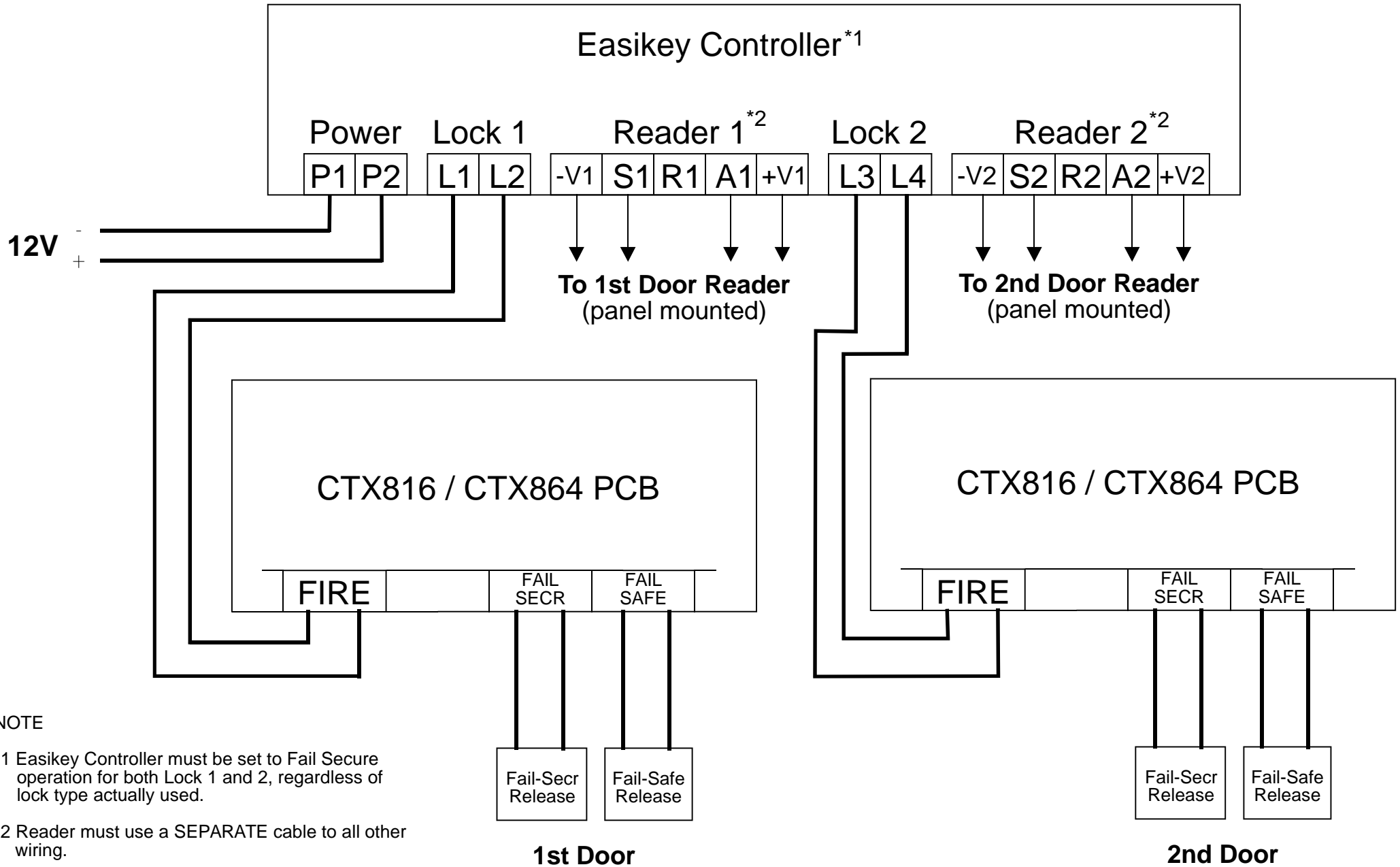


BSX and Easikey Controller interconnections (1 / 2 Door Systems)



NOTE

*1 Easikey Controller must be set to Fail Secure operation for both Lock 1 and 2, regardless of lock type actually used.

*2 Reader must use a SEPARATE cable to all other wiring.