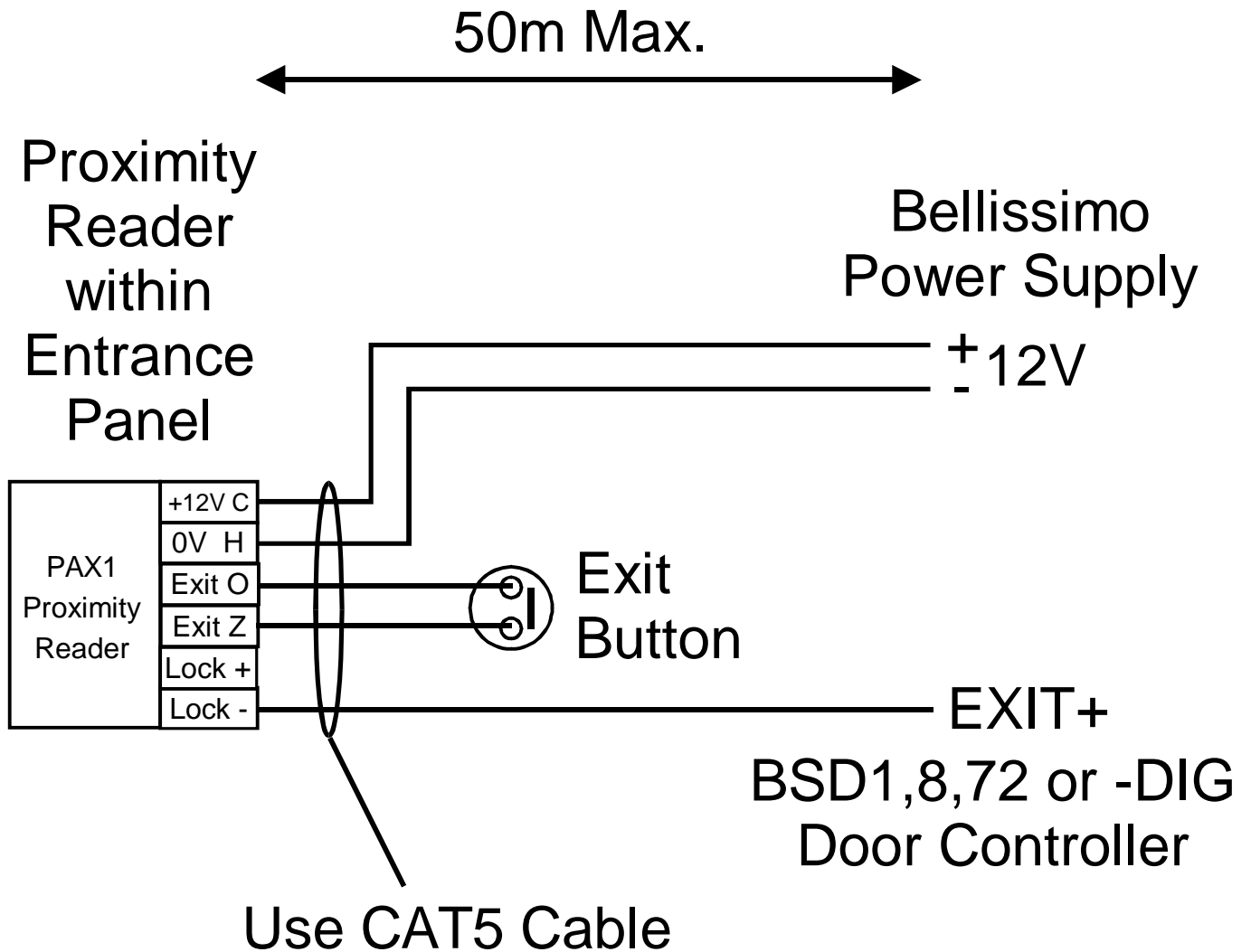


BS	PAX1 Reader Integration	PD-099 Iss 2
----	-------------------------	--------------



IMPORTANT

1. Do not follow the wiring in the 'CSP Combined System Manual'.
2. Lock time and type are set at the Bellissimo Door Controller. Leave the lock type for the PAX1 reader on the default of Fail Secure, regardless of lock type actually used.