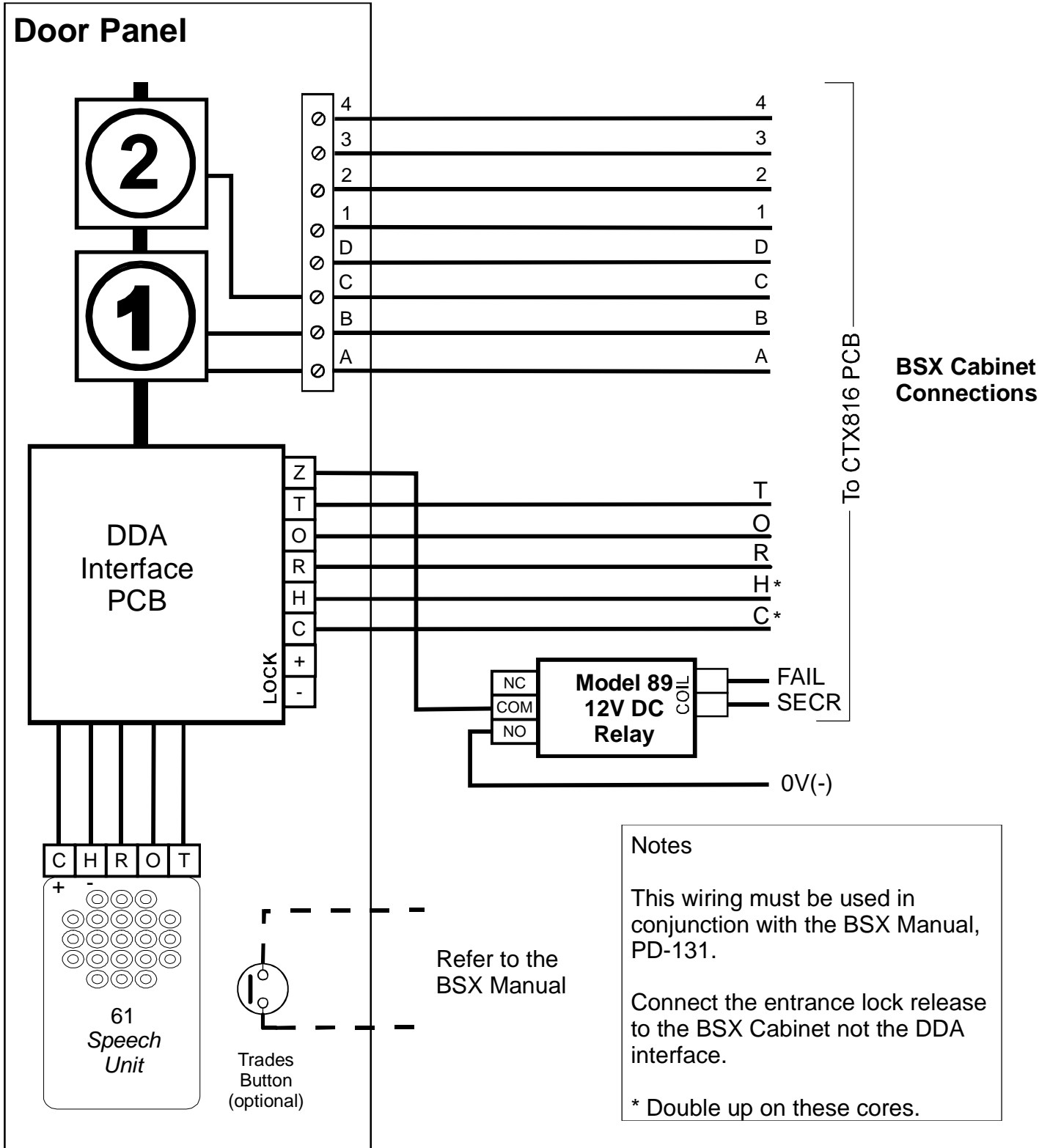


DDA/BSX

DDA Panels:
DDAP-BSX16-n,
DDAP-BSX16-nS



Notes

This wiring must be used in conjunction with the BSX Manual, PD-131.

Connect the entrance lock release to the BSX Cabinet not the DDA interface.

* Double up on these cores.