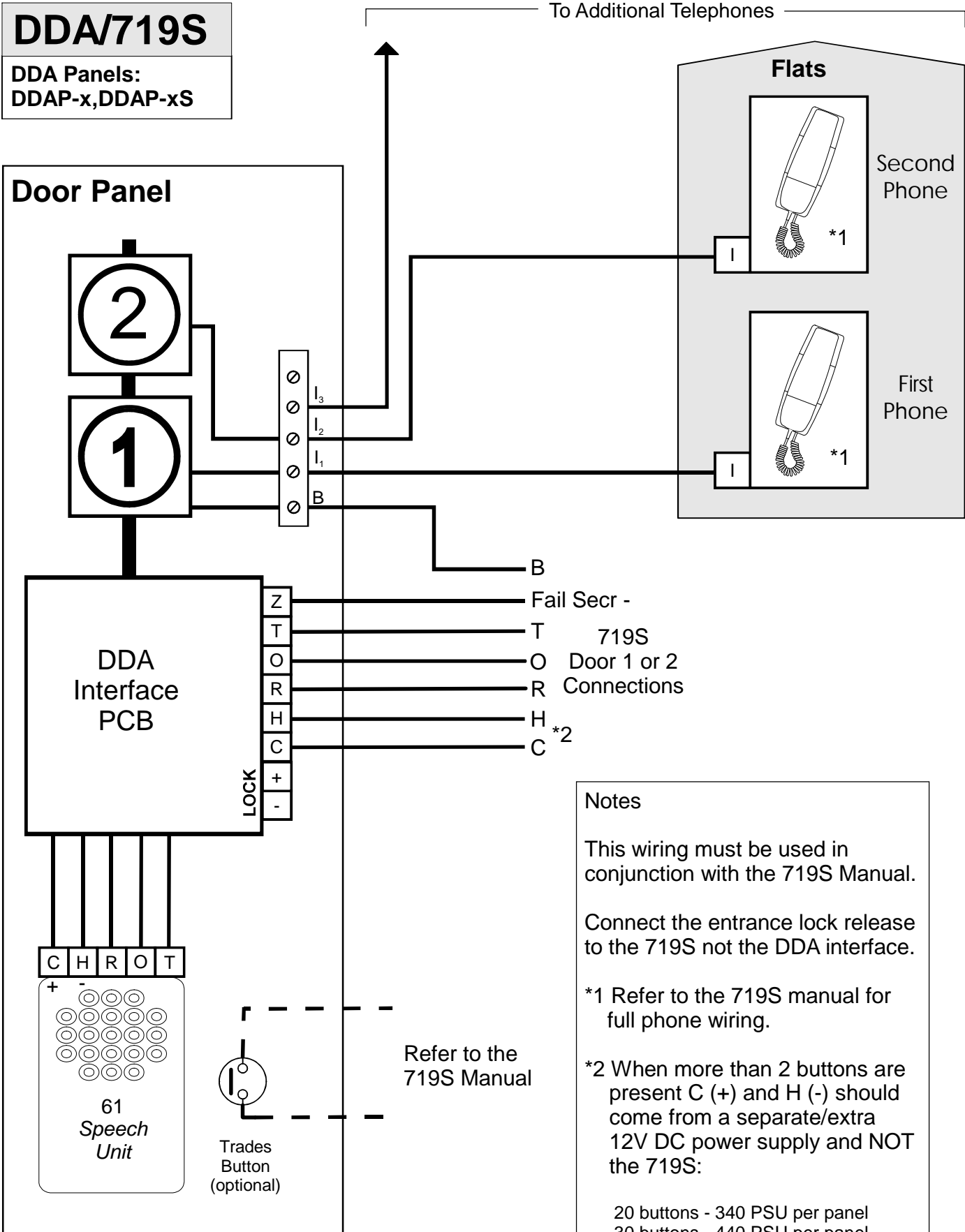


Wiring for DDA Panels on Multi-door systems (using the 719S 2 Door Switching Unit)



Notes

This wiring must be used in conjunction with the 719S Manual.

Connect the entrance lock release to the 719S not the DDA interface.

*1 Refer to the 719S manual for full phone wiring.

*2 When more than 2 buttons are present C (+) and H (-) should come from a separate/extra 12V DC power supply and NOT the 719S:

20 buttons - 340 PSU per panel
30 buttons - 440 PSU per panel