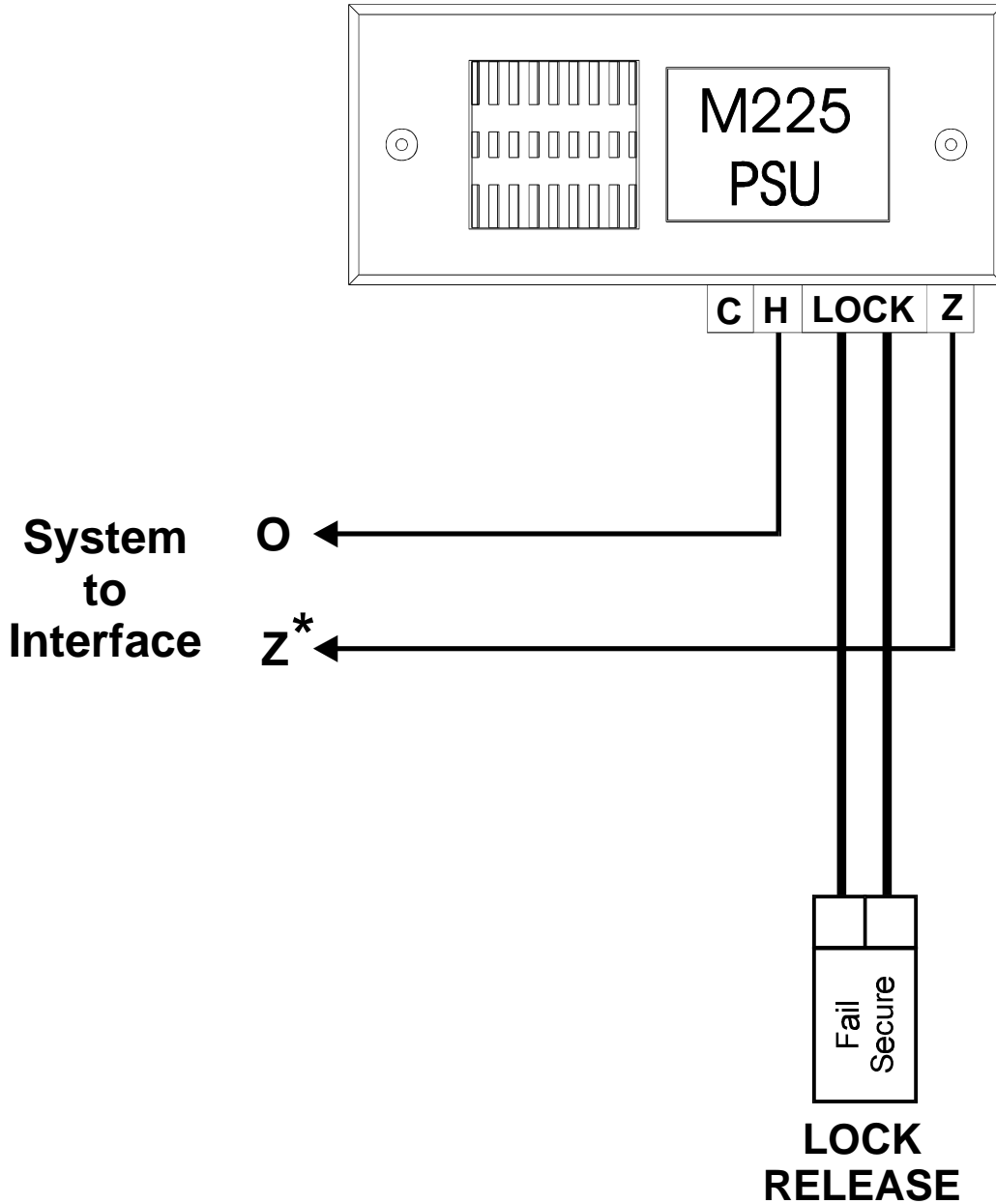


Connecting an AC High Current Lock Release to a System (Up to 2A)



Note

*Connect to Z on a 900 series system or 'FAIL SECR -' on other Bell System products.

An isolated contact can be used to short Z to O and operate the lock