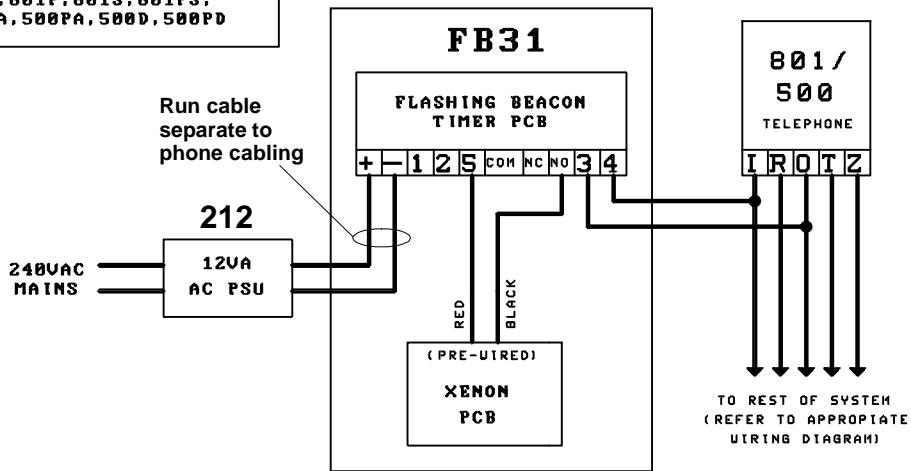


**WIRING DIAGRAM FOR THE FB31 FLASHING BEACON
WITH ADDITIONAL POWER SUPPLY
12V AC SYSTEMS**

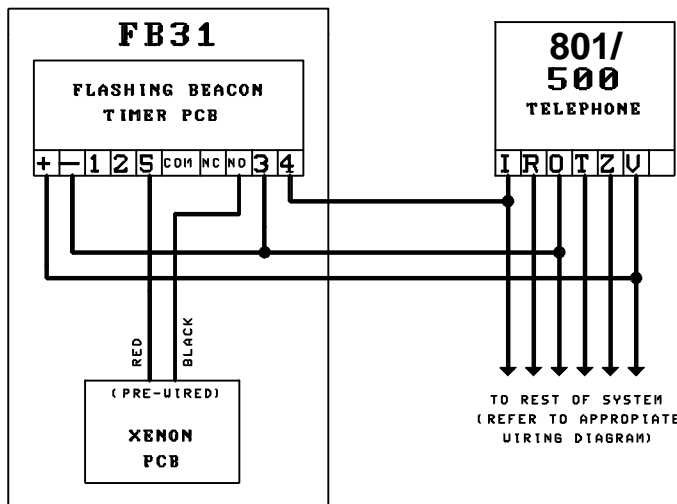
**CONNECTION TO ENTRY TELEPHONES:
MODEL : 801, 801P, 801S, 801PS,
500A, 500PA, 500D, 500PD**



NOTES:

BEACON IS ACTIVATED WHEN ENTRY TELEPHONE IS BUZZED.
DURATION OF FLASHING CAN BE VARIED BETWEEN APPROX 4
TO 40 SECONDS USING THE POT MARKED 'TIME' ON THE PCB

**WIRING DIAGRAM FOR THE FB31 FLASHING BEACON
POWERED FROM THE SYSTEM
12V DC SYSTEMS**



NOTES:

BEACON IS ACTIVATED WHEN ENTRY TELEPHONE IS BUZZED.
DURATION OF FLASHING CAN BE VARIED BETWEEN APPROX 4
TO 40 SECONDS USING THE POT MARKED 'TIME' ON THE PCB

CONNECTION TO ENTRY TELEPHONES:

**MODEL : 500X, 500PX, 500LX, 500PLX,
500PXT, 500LXT, 500PLXT
801*, 801S*, 801PS***

* There is no 'V' connection on these models, connect to +12V back at the power supply.